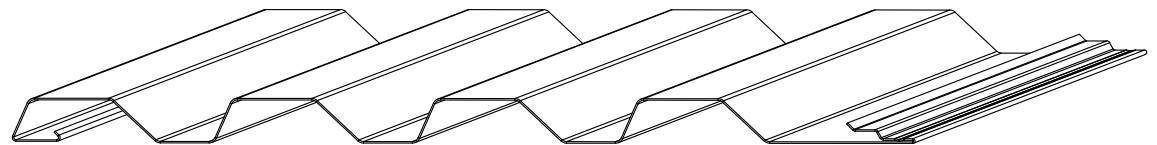


INSTALLATION DETAILS

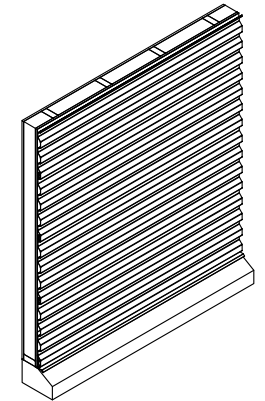
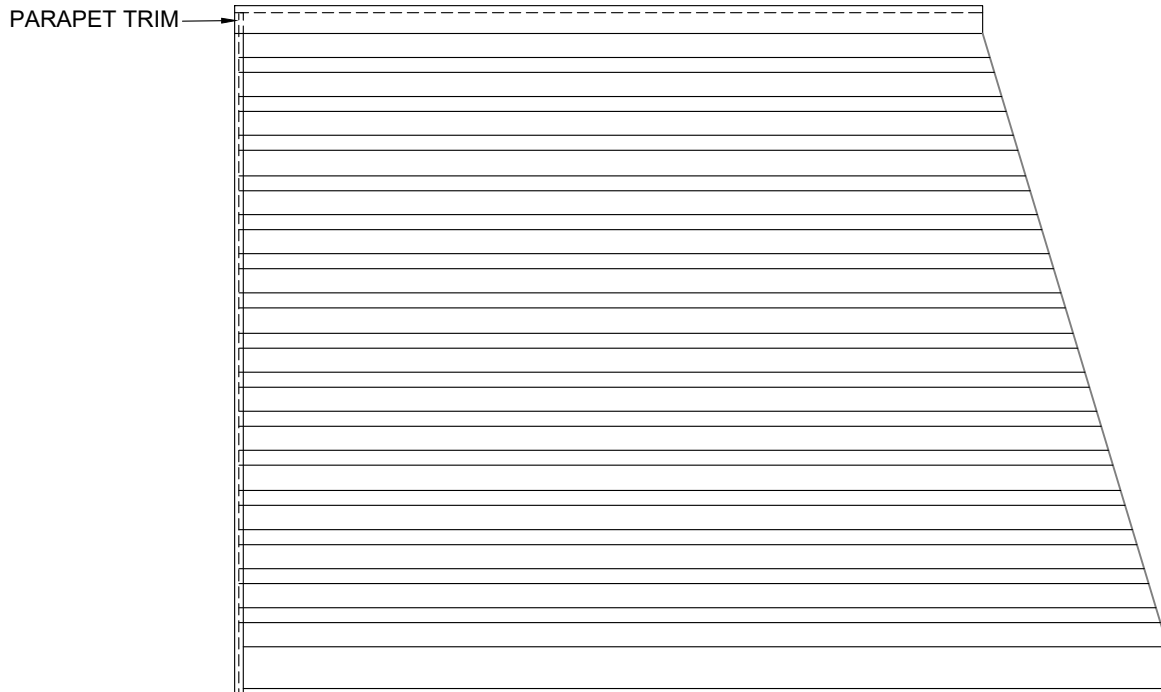
PAGE 2-3 → HORIZONTAL APPLICATION • SOLID SUBSTRATE
 PAGE 4-5 → HORIZONTAL APPLICATION • OPEN FRAMING
 PAGE 6-7 → VERTICAL APPLICATION • SOLID SUBSTRATE
 PAGE 8-9 → VERTICAL APPLICATION • OPEN FRAMING
 PAGE 10 PANEL INSTALLATION - SPECIFIC DETAILS
 PAGE 11 TRIMS AND ACCESSORIES

SPECIFICATIONS		EXPANSION FACTORS FOR SPACING		AVAILABLE	
APPLICATION	WALL	PANEL LENGTH		MATERIALS	
PANEL COVERING	8" (203mm)	22' (6.8m)		ALUMINIUM	0.032", 0.040", 0.050" (0.8mm, 1.0mm, 1.27mm)
	12" (305mm)	STEEL	$\frac{5}{8}$ " (8mm)	PAINTED STEEL	24 GA.
	16" (407mm)	ALUMINIUM	$\frac{11}{16}$ " (17mm)		
PANEL DEPTH	$\frac{15}{16}$ " (24mm)				
MINIMUM LENGTH	2'-8" (0.85m)				
MAXIMUM LENGTH RECOMMENDED	22' (6.2m)				

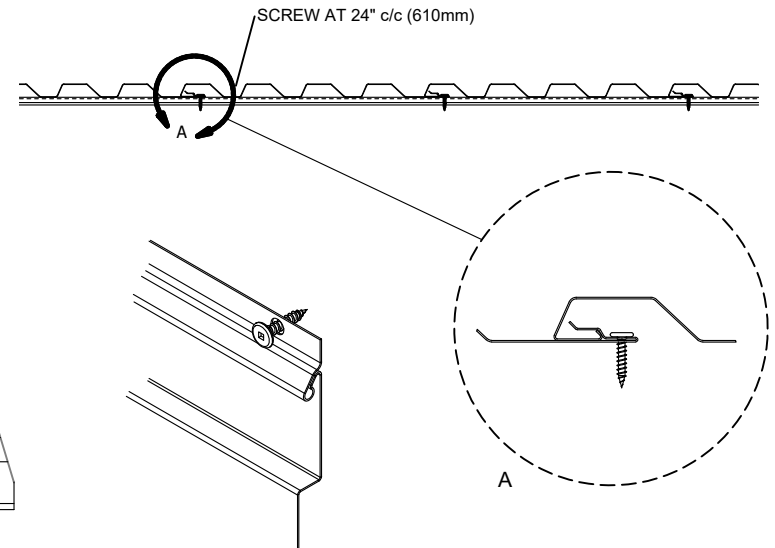


HORIZONTAL INSTALLATION
 SOLID SUBSTRATE

ELEVATION



3D REPRESENTATION



NOTES :

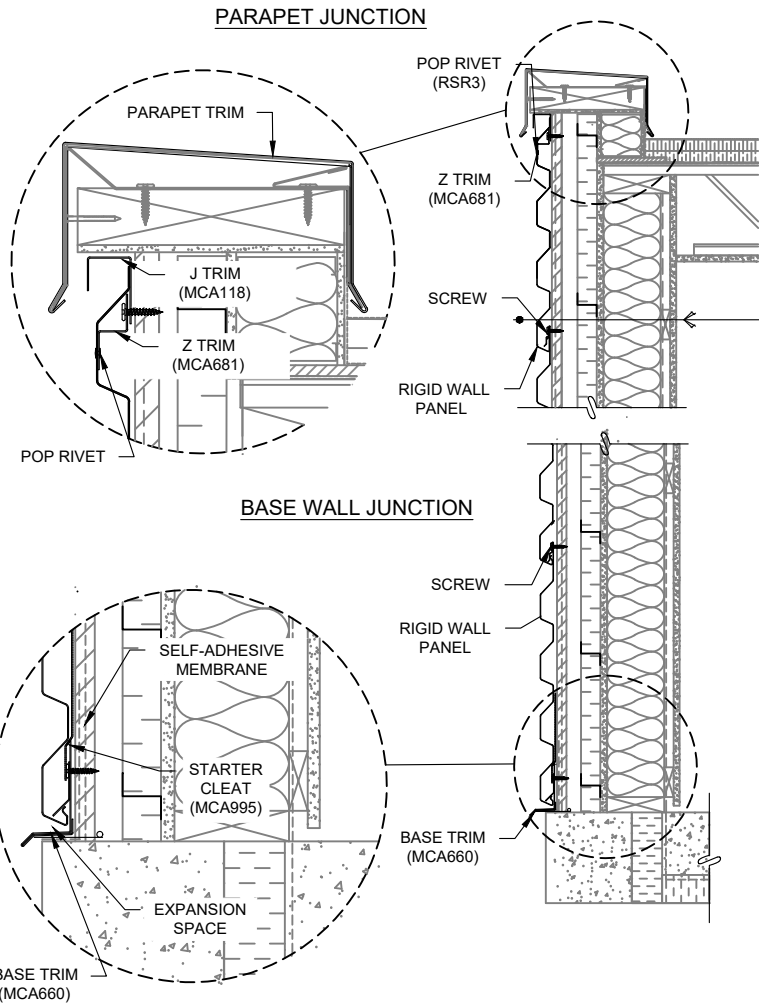
THE EXPANSION OF ALUMINUM AND STEEL DEPENDS ON A COMBINATION OF SEVERAL FACTORS: THE LENGTH AND WIDTH OF THE PANEL, THE THICKNESS OF THE MATERIAL, ITS COLOR, THE LEVEL OF SUN EXPOSURE, THE TEMPERATURE DURING INSTALLATION. PROVIDE SUFFICIENT EXPANSION SPACE ACCORDING TO THESE FACTORS (SEE EXPANSION FACTOR TABLE).

THE PANEL IS INSTALLED FROM THE BOTTOM UP.

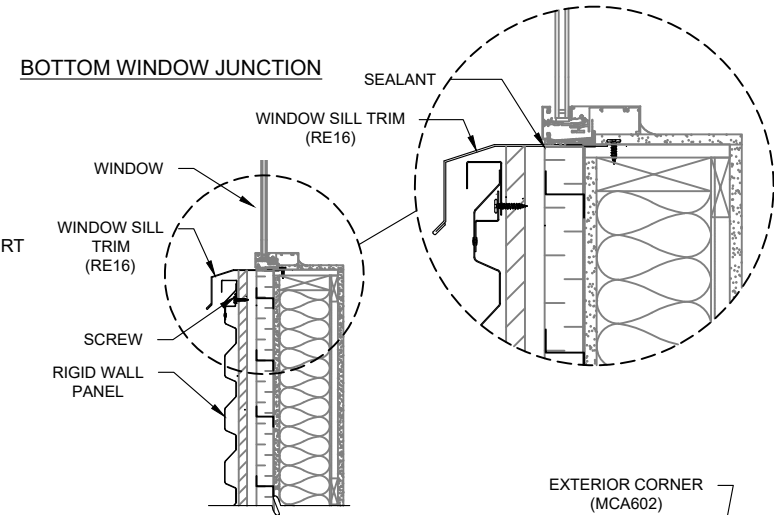
RIGID WALL

HORIZONTAL INSTALLATION SOLID SUBSTRATE

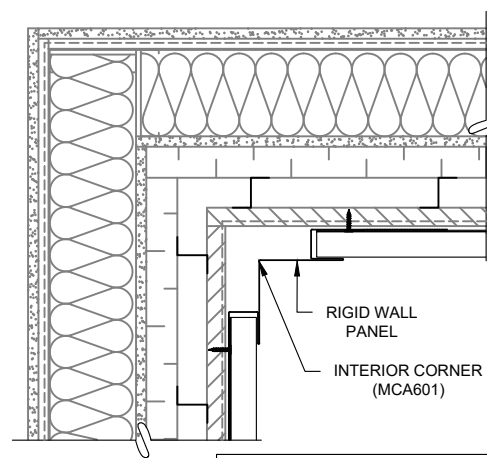
WALL STRUCTURE



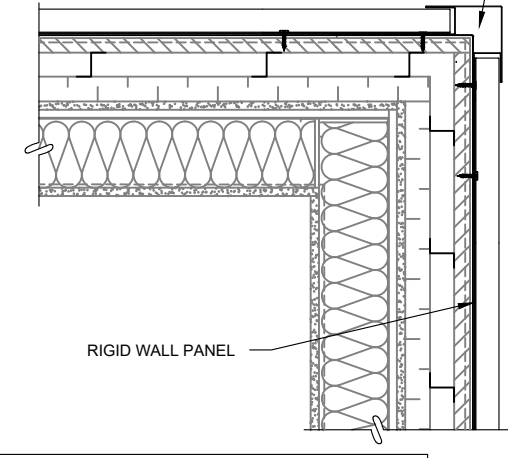
BOTTOM WINDOW JUNCTION



RIGID WALL INTERIOR CORNER DETAIL



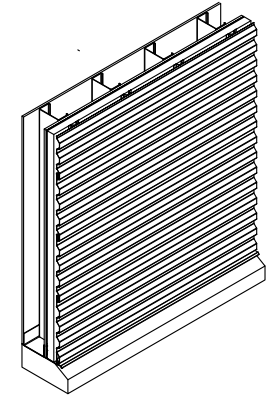
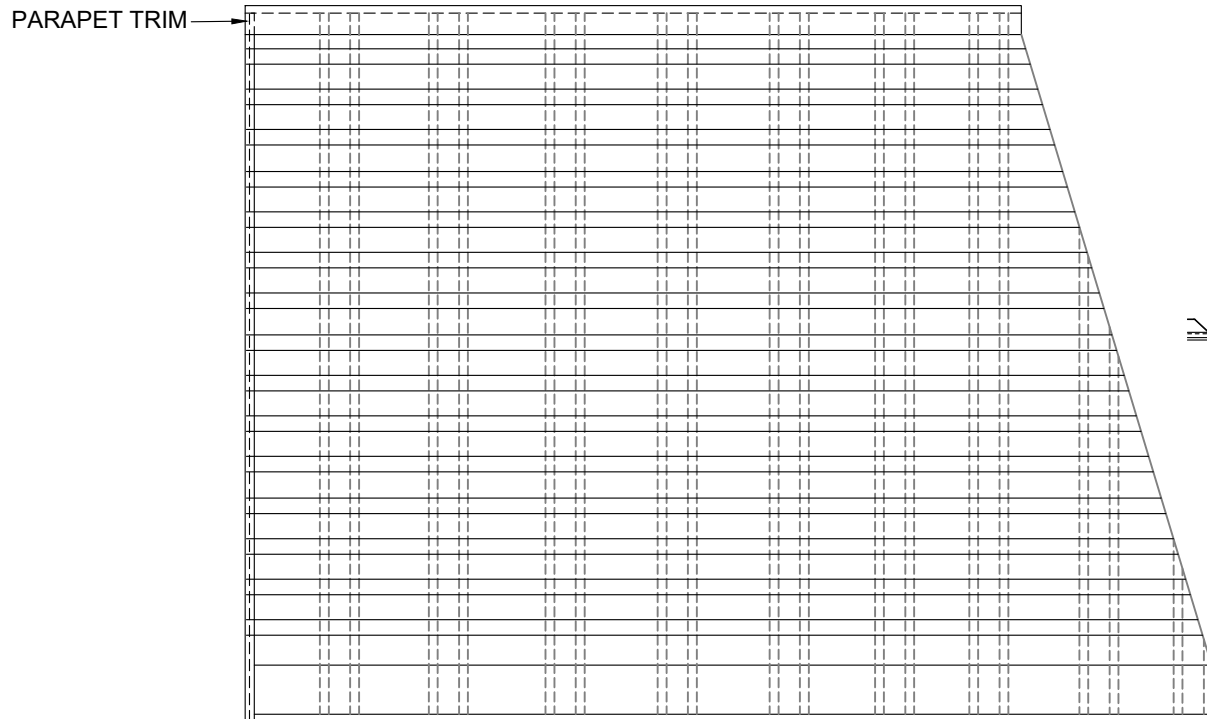
RIGID WALL EXTERIOR CORNER DETAIL



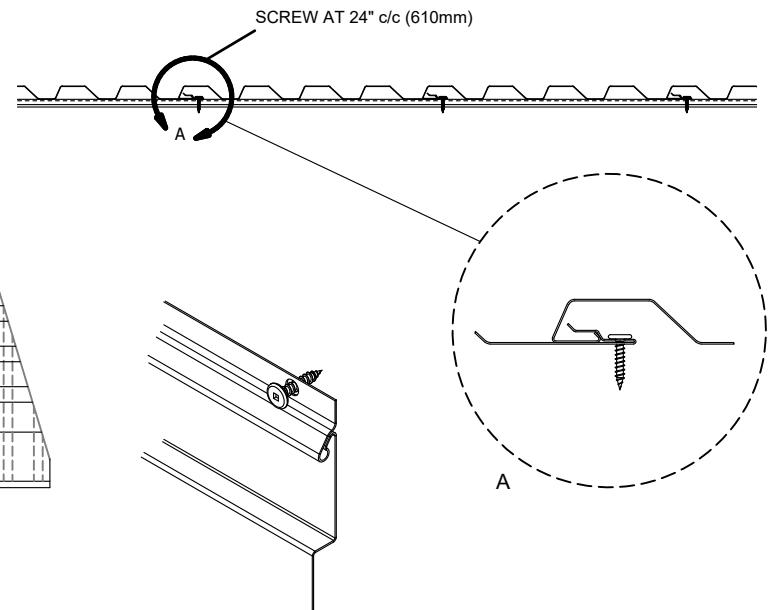
NOTES :
 PROVIDE A THERMAL EXPANSION SPACE AT THE BOTTOM OF THE PANEL
 (SEE EXPANSION FACTOR TABLE)
 WALL CUT FOR INFORMATION ONLY

HORIZONTAL INSTALLATION
 OPEN FRAMING

ELEVATION



3D REPRESENTATION



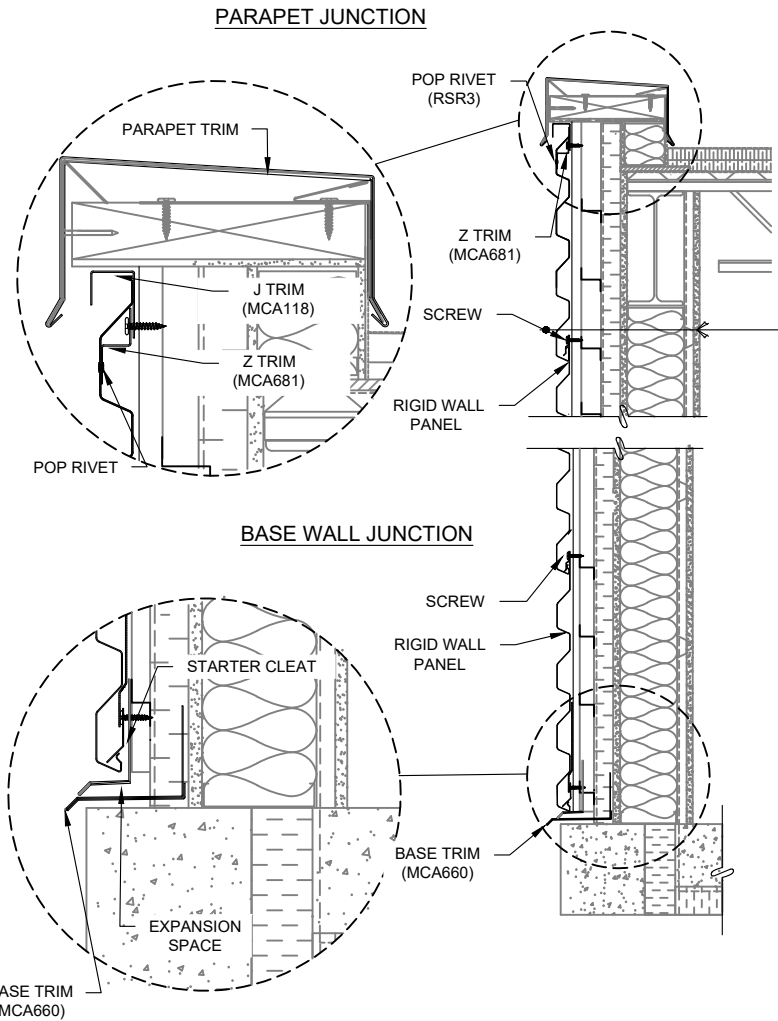
NOTES :

- THE EXPANSION OF ALUMINUM AND STEEL DEPENDS ON A COMBINATION OF SEVERAL FACTORS: THE LENGTH AND WIDTH OF THE PANEL, THE THICKNESS OF THE MATERIAL, ITS COLOR, THE LEVEL OF SUN EXPOSURE, THE TEMPERATURE DURING INSTALLATION. PROVIDE SUFFICIENT EXPANSION SPACE ACCORDING TO THESE FACTORS (SEE EXPANSION FACTOR TABLE).
- THE PANEL IS INSTALLED FROM THE BOTTOM UP
- METAL SUBGIRT INSTALLATION AT 24" C/C. (610MM) (IF THE SPACING IS DIFFERENT, REFER TO THE TABLE OF CHARGES)

RIGID WALL

HORIZONTAL INSTALLATION OPEN FRAMING

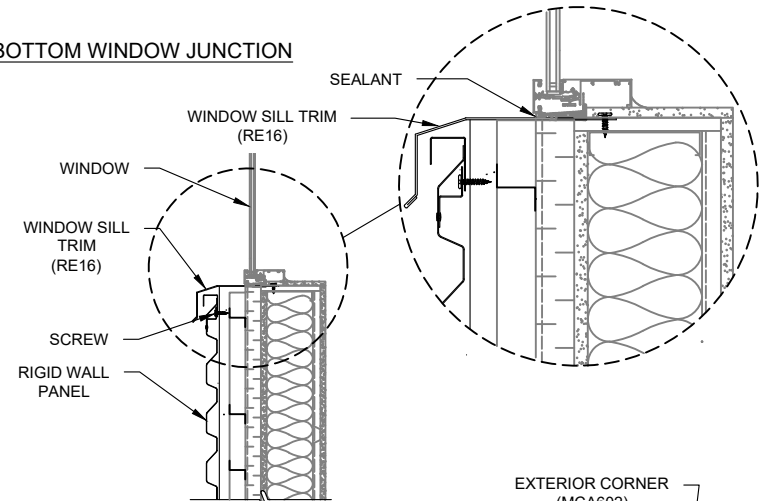
WALL STRUCTURE



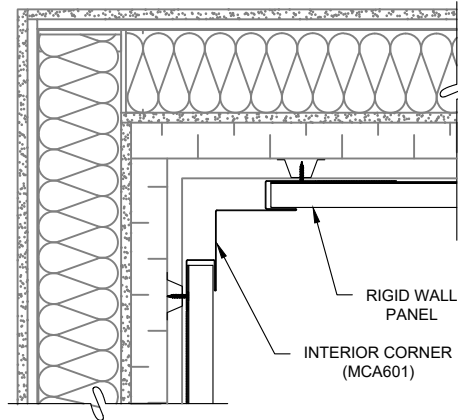
EXTERIOR WALL

- RIGID WALL METAL PANEL
- VERICAL METAL SUBGIRT
- HORIZONTAL Z BARS
- INSULATION PANEL
- AIR BARRIER MEMBRANE
- EXTERIOR GYPSE
- METAL STUD
- MINERAL FIBER INSULATION
- VAPOR BARRIER MEMBRANE
- HORIZONTAL METAL SUBGIRT
- GYPSE PANEL

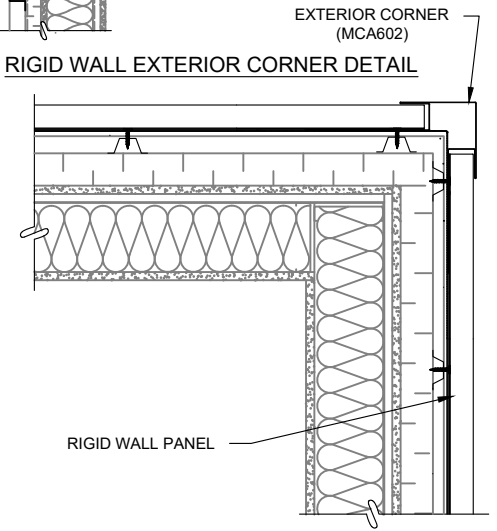
BOTTOM WINDOW JUNCTION



RIGID WALL INTERIOR CORNER DETAIL



RIGID WALL EXTERIOR CORNER DETAIL

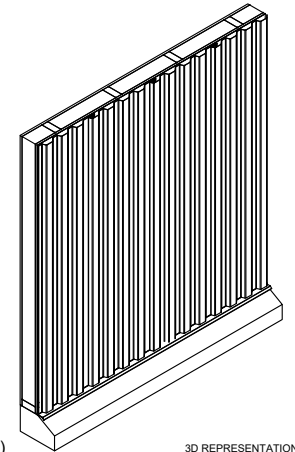
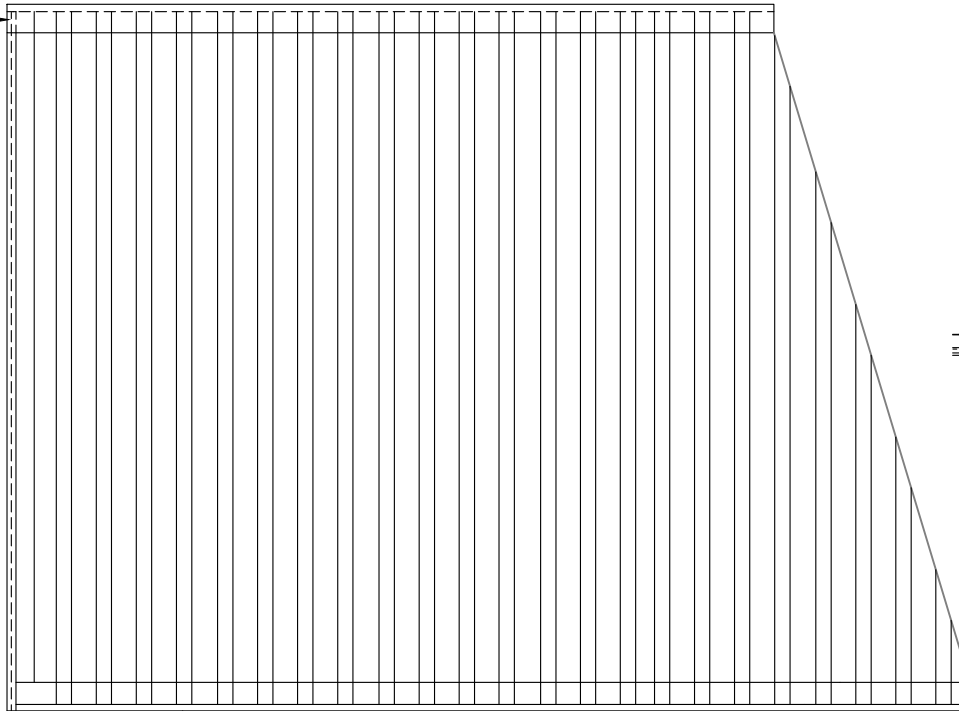


NOTES :
 PROVIDE A THERMAL EXPANSION SPACE AT THE BOTTOM OF THE PANEL
 (SEE EXPANSION FACTOR TABLE)
 WALL CUT FOR INFORMATION ONLY

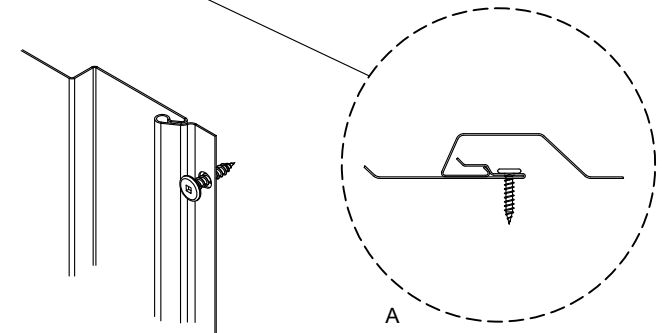
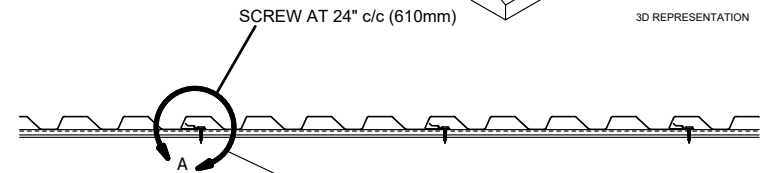
VERTICAL INSTALLATION
 SOLID SUBSTRATE

ÉLÉVATION DU PRODUIT

PARAPET TRIM



3D REPRESENTATION



NOTES :

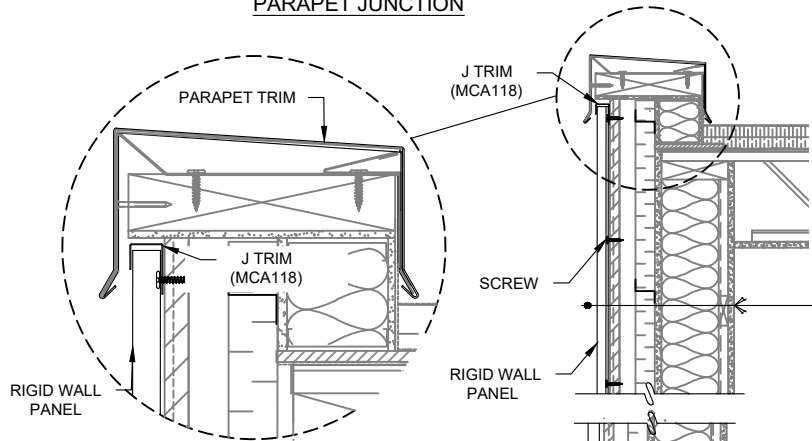
THE EXPANSION OF ALUMINUM AND STEEL DEPENDS ON A COMBINATION OF SEVERAL FACTORS: THE LENGTH AND WIDTH OF THE PANEL, THE THICKNESS OF THE MATERIAL, ITS COLOR, THE LEVEL OF SUN EXPOSURE, THE TEMPERATURE DURING INSTALLATION. PROVIDE SUFFICIENT EXPANSION SPACE ACCORDING TO THESE FACTORS (SEE EXPANSION FACTOR TABLE).

THE PANEL IS INSTALLED FROM LEFT TO RIGHT.

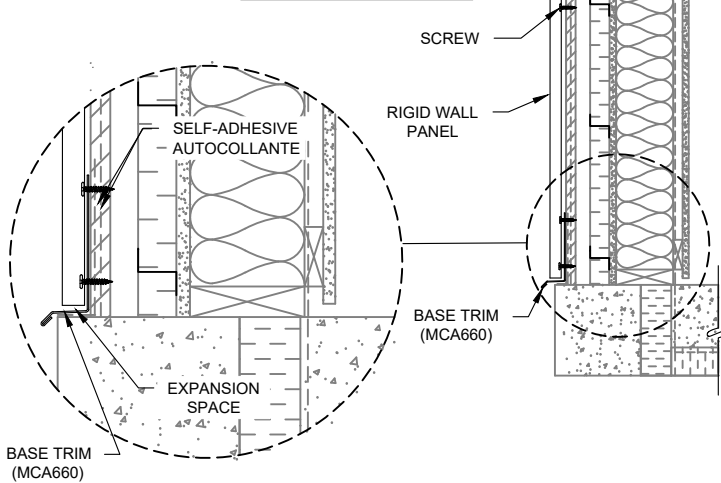
VERTICAL INSTALLATION SOLID SUBSTRATE

WALL STRUCTURE

PARAPET JUNCTION



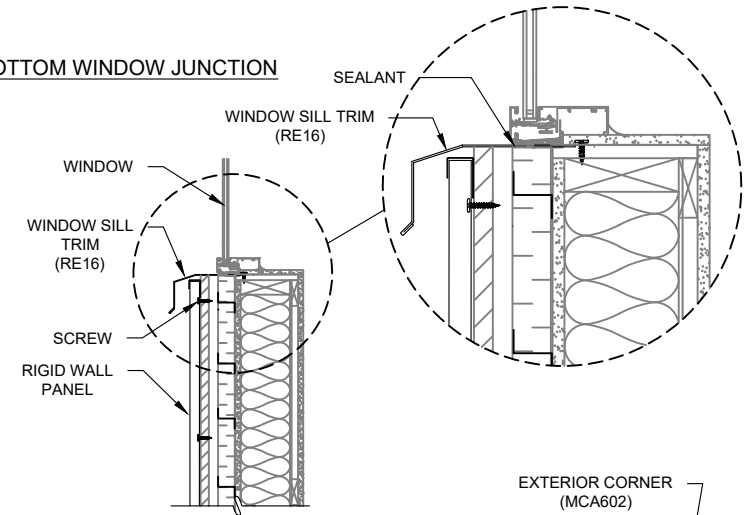
BASE WALL JUNCTION



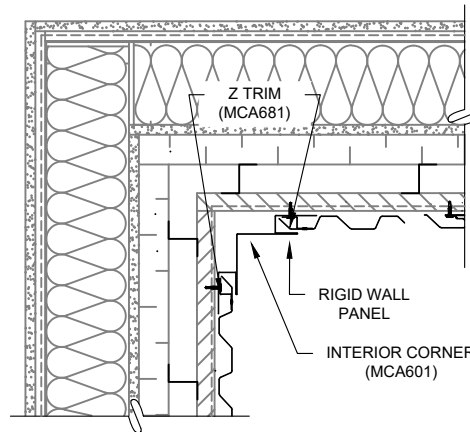
EXTERIOR WALL

- RIGID WALL METAL PANEL
- SELF-ADHESIVE
- 1/2" PLYWOOD SHEETING
- VERTICAL Z BARS OR METAL SUBGIRT
- INSULATION PANEL
- AIR BARRIER MEMBRANE
- EXTERIOR GYPSE
- WOOD STUD
- MINERAL FIBER INSULATION
- VAPOR BARRIER MEMBRANE
- HORIZONTAL WOOD BATTEN
- GYPSE PANEL

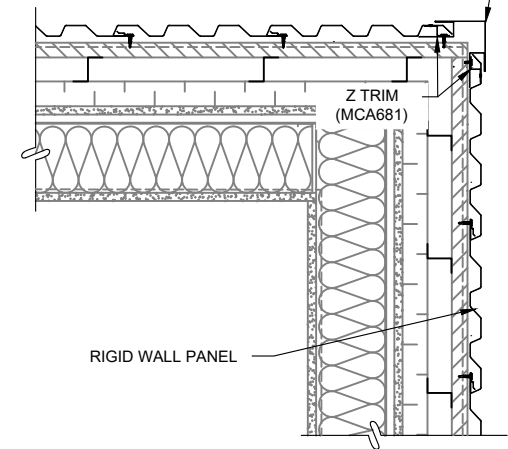
BOTTOM WINDOW JUNCTION



RIGID WALL INTERIOR CORNER DETAIL



RIGID WALL EXTERIOR CORNER DETAIL

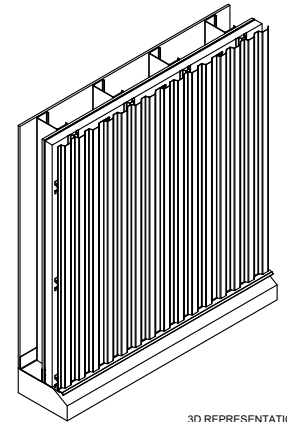
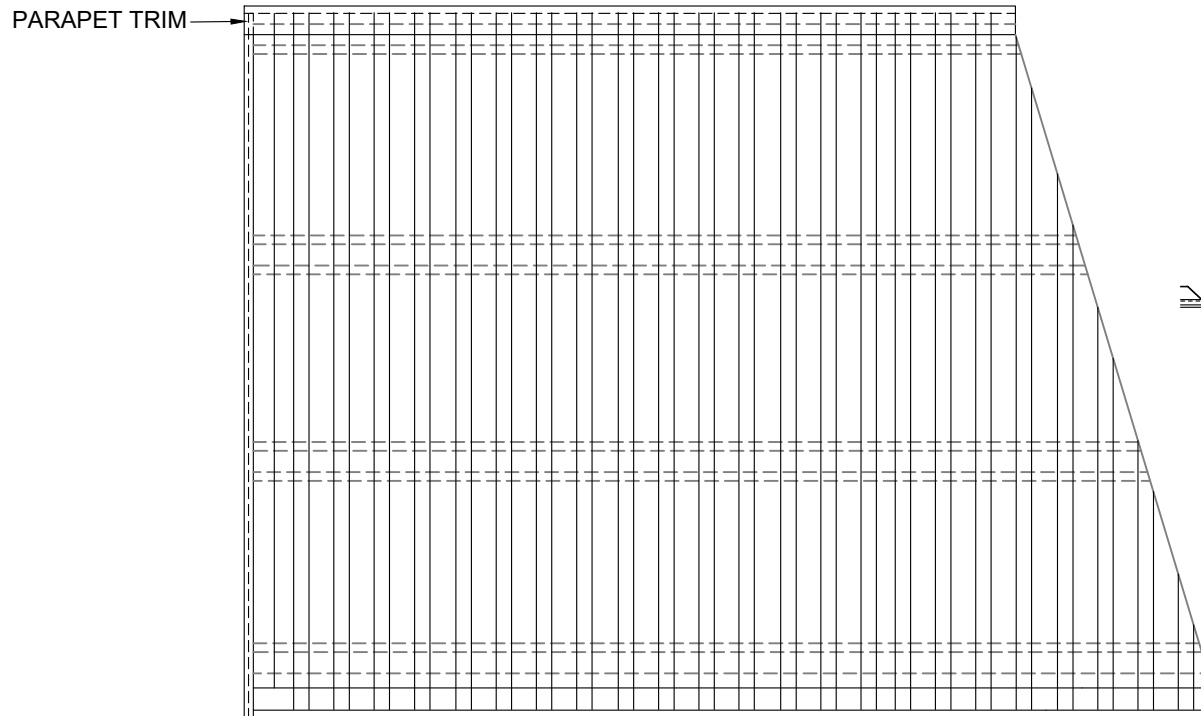


NOTES :

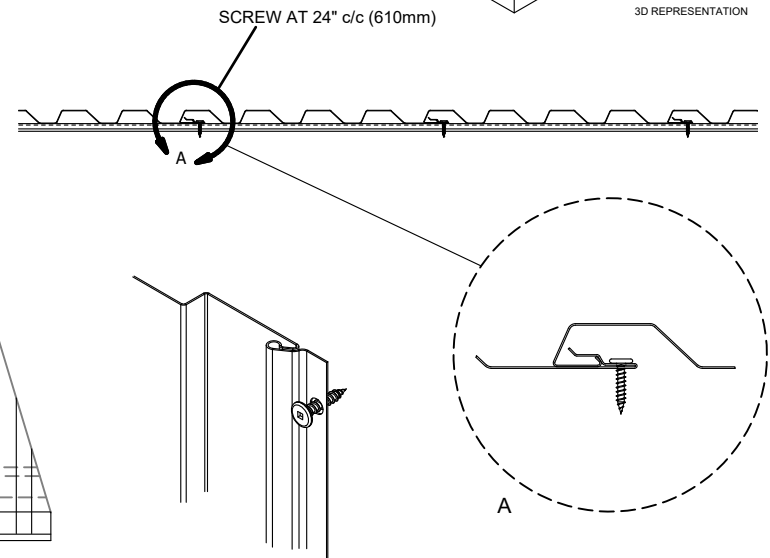
PROVIDE A THERMAL EXPANSION SPACE AT THE BOTTOM OF THE PANEL
 (SEE EXPANSION FACTOR TABLE)
 WALL CUT FOR INFORMATION ONLY

VERTICAL INSTALLATION
 OPEN FRAMING

ELEVATION



3D REPRESENTATION

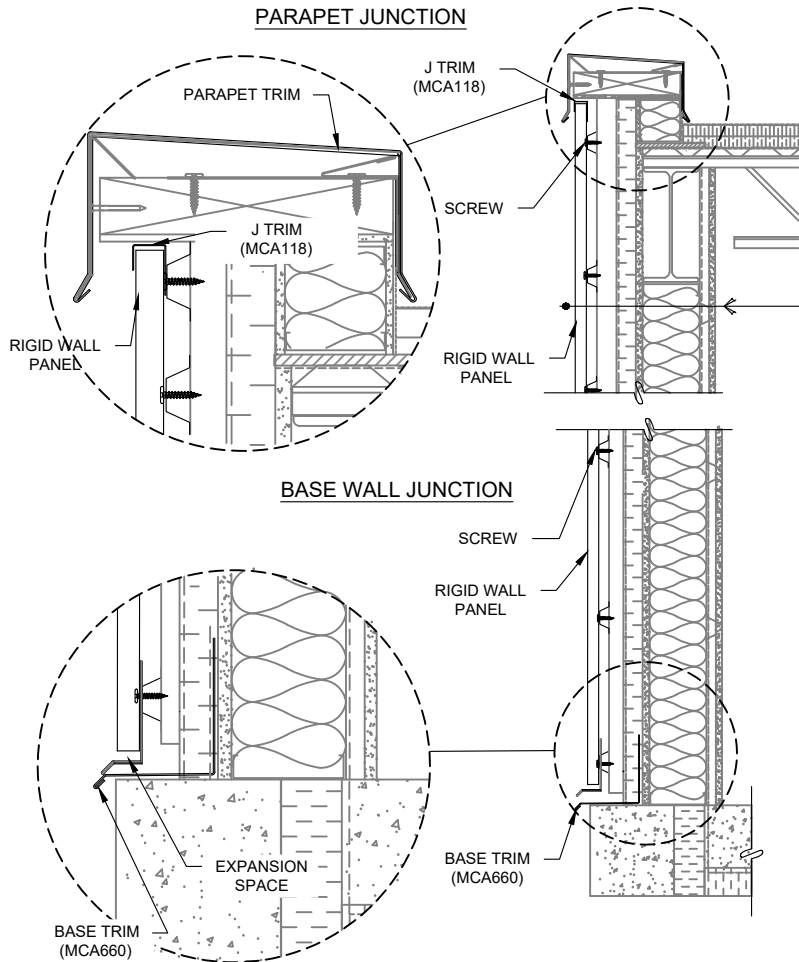


NOTES :

- THE EXPANSION OF ALUMINUM AND STEEL DEPENDS ON A COMBINATION OF SEVERAL FACTORS: THE LENGTH AND WIDTH OF THE PANEL, THE THICKNESS OF THE MATERIAL, ITS COLOR, THE LEVEL OF SUN EXPOSURE, THE TEMPERATURE DURING INSTALLATION. PROVIDE SUFFICIENT EXPANSION SPACE ACCORDING TO THESE FACTORS (SEE EXPANSION FACTOR TABLE).
- THE PANEL IS INSTALLED FROM LEFT TO RIGHT
- METAL SUBGIRT INSTALLATION AT 24" C/C. (610MM) (IF THE SPACING IS DIFFERENT, REFER TO THE TABLE OF CHARGES)

VERTICAL INSTALLATION OPEN FRAMING

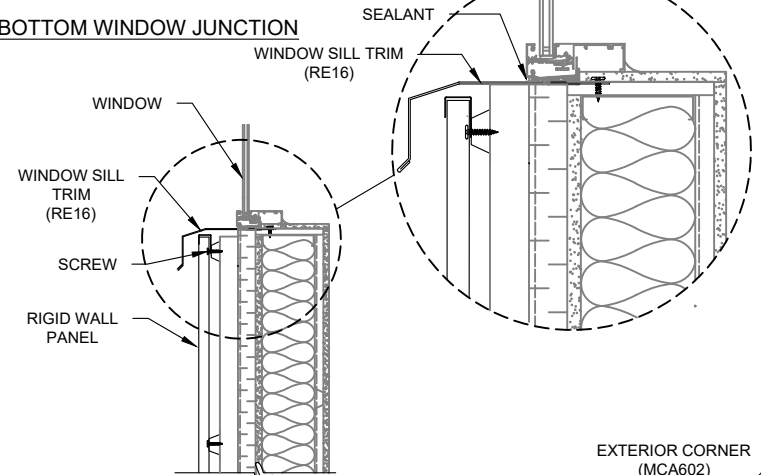
WALL STRUCTURE



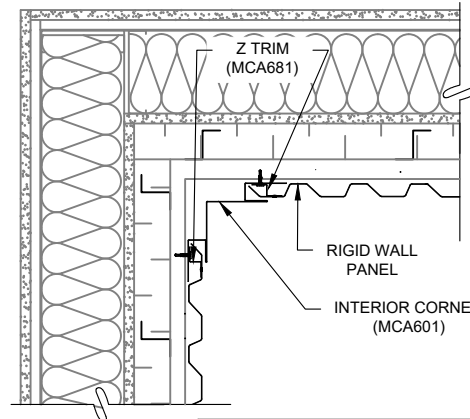
EXTERIOR WALL

- RIGID WALL METAL PANEL
- HORIZONTAL METAL SUBGIRT
- VERTICAL Z BARS
- INSULATION PANEL
- AIR BARRIER MEMBRANE
- EXTERIOR GYPSE
- METAL STUD
- MINERAL FIBER INSULATION
- VAPOR BARRIER MEMBRANE
- HORIZONTAL METAL SUBGIRT
- GYPSE PANEL

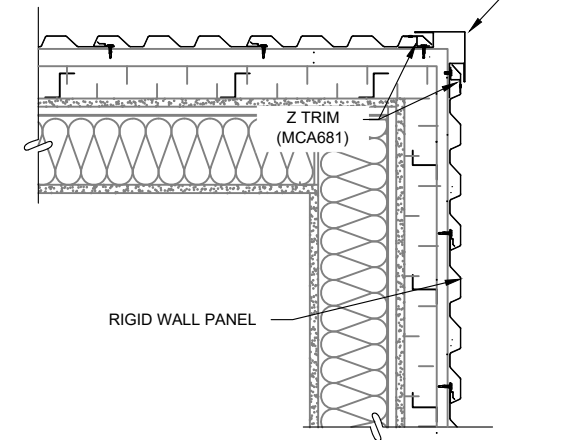
BOTTOM WINDOW JUNCTION



RIGID WALL INTERIOR CORNER DETAIL



RIGID WALL EXTERIOR CORNER DETAIL

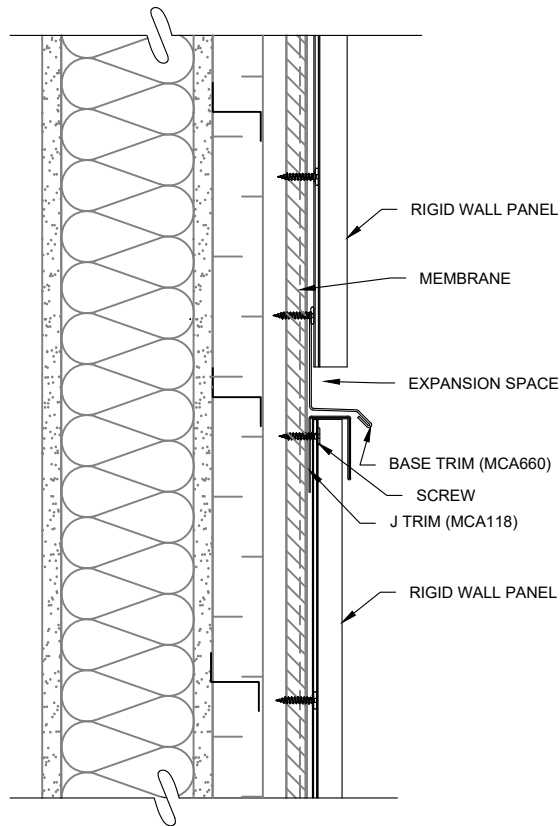


NOTES :

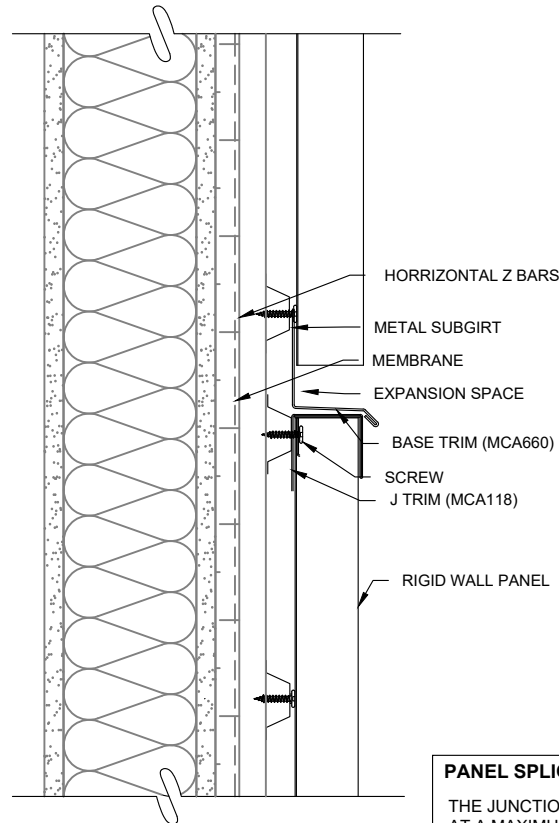
PROVIDE A THERMAL EXPANSION SPACE AT THE BOTTOM OF THE PANEL
 (SEE EXPANSION FACTOR TABLE)
 WALL CUT FOR INFORMATION ONLY

PANEL INSTALLATION - SPECIFIC DETAILS

HORIZONTAL TRANSITION INSTALLATION
SOLID SUBSTRATE - PANEL INSTALLED
VERTICALLY

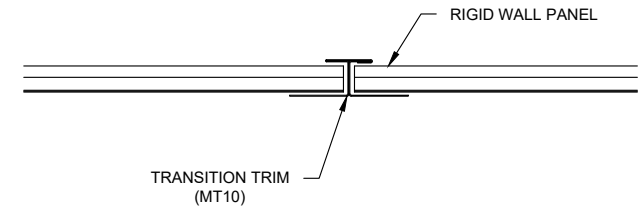


HORIZONTAL TRANSITION INSTALLATION
OPEN FRAMING - PANEL INSTALLED
VERTICALLY

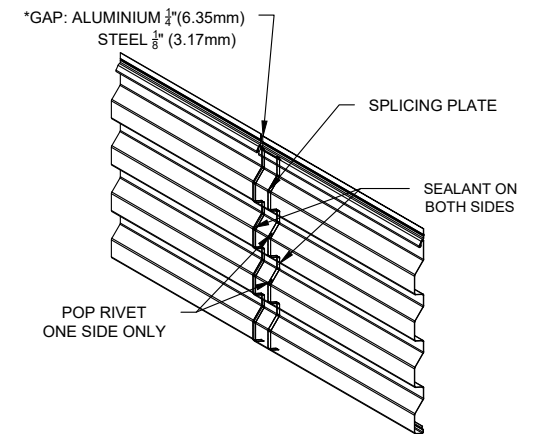


VERTICAL TRANSITION INSTALLATION -
PANEL INSTALLED HORIZONTALLY

OPTION 1 : TRANSITION TRIM
PLAN VIEW



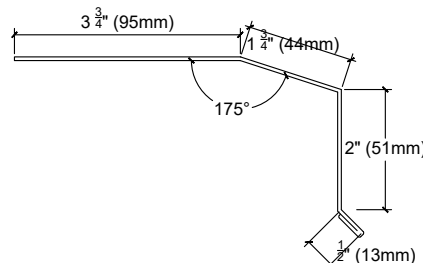
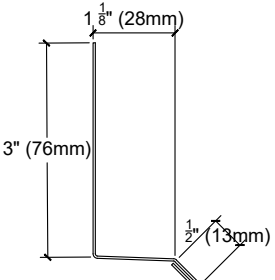
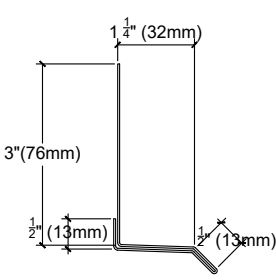
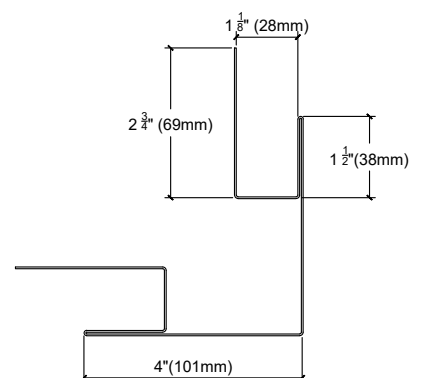
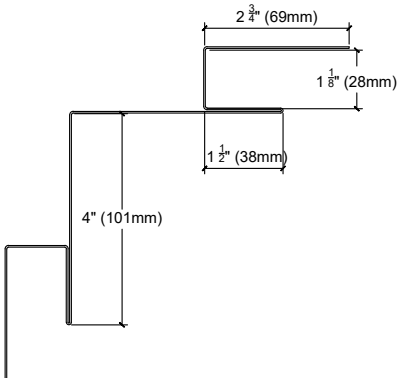
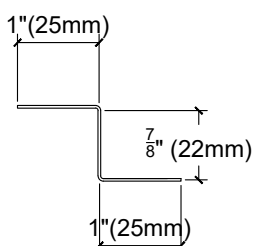
OPTION 2 : SPLICING PLATE



PANEL SPLICE NOTE :

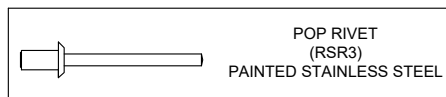
THE JUNCTION SPLICE IS APPLICABLE ONLY ON HORIZONTAL INSTALLATION AT A MAXIMUM PANEL LENGTH OF 21 FEET.

TRIMS AND ACCESSORIES

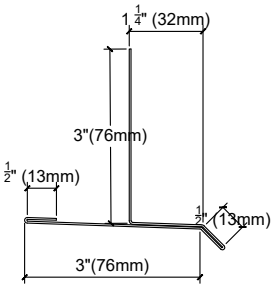
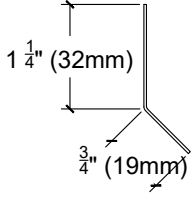
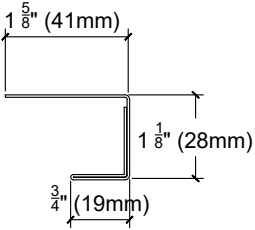
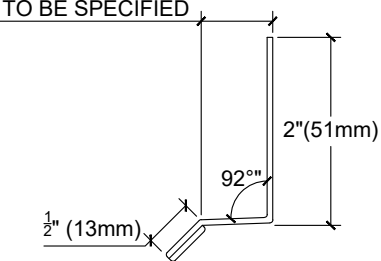
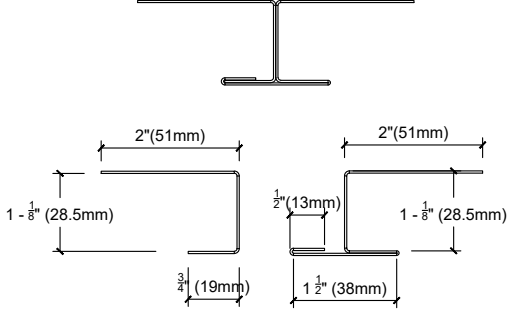
<p>WINDOW SILL TRIM (RE16) RAW MATERIAL : 8,5" (216 mm)</p> 	<p>BASE TRIM (MCA660) RAW MATERIAL : 5,125" (130mm)</p> 	<p>BASE TRIM (MCA661) RAW MATERIAL : 7,0" (178mm)</p> 
<p>EXTERIOR CORNER (MCA602) RAW MATERIAL : 18,75" (476mm)</p> 	<p>INTERIOR CORNER (MCA601) RAW MATERIAL : 18,75" (476mm)</p> 	<p>Z TRIM (MCA681) RAW MATERIAL : 2,87" (73mm)</p> 

NOTE FOR TRIMS :

- THE EXPANSION OF ALUMINUM AND STEEL DEPENDS ON A COMBINATION OF SEVERAL FACTORS: THE LENGTH AND WIDTH OF THE PANEL, THE THICKNESS OF THE MATERIAL, ITS COLOR, THE LEVEL OF SUN EXPOSURE, THE TEMPERATURE DURING INSTALLATION. PROVIDE SUFFICIENT EXPANSION SPACE ACCORDING TO THESE FACTORS (SEE EXPANSION FACTOR TABLE).



TRIMS AND ACCESSORIES

<p>T WINDOW TRIM (MCA662) RAW MATERIAL : 8,75" (222mm)</p> 	<p>STARTER CLEAT (MCA995) RAW MATERIAL : 2" (51mm)</p> 	<p>J TRIM (MCA118) RAW MATERIAL : 6,50" (165mm)</p> 
<p>BASE TRIM (RE32)</p> <p>TO BE SPECIFIED</p> 	<p>TRANSITION TRIM (MT10) RAW MATERIAL : 9" (229 mm)</p> 	

NOTE FOR TRIMS :

- THE EXPANSION OF ALUMINUM AND STEEL DEPENDS ON A COMBINATION OF SEVERAL FACTORS: THE LENGTH AND WIDTH OF THE PANEL, THE THICKNESS OF THE MATERIAL, ITS COLOR, THE LEVEL OF SUN EXPOSURE, THE TEMPERATURE DURING INSTALLATION. PROVIDE SUFFICIENT EXPANSION SPACE ACCORDING TO THESE FACTORS (SEE EXPANSION FACTOR TABLE).

