

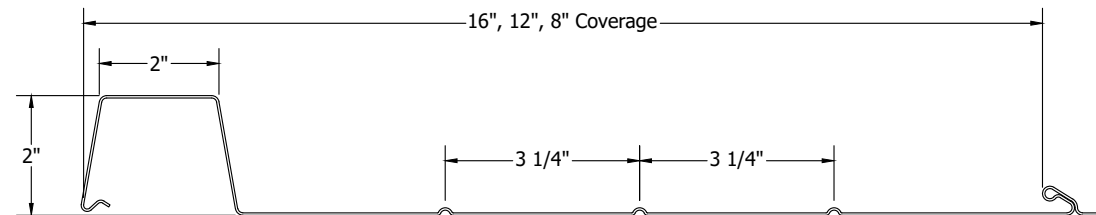
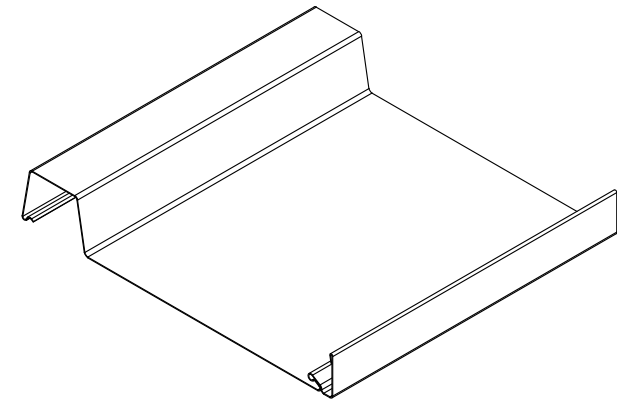
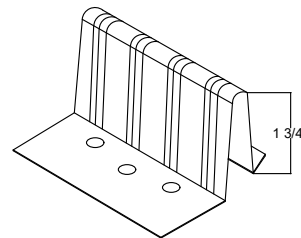
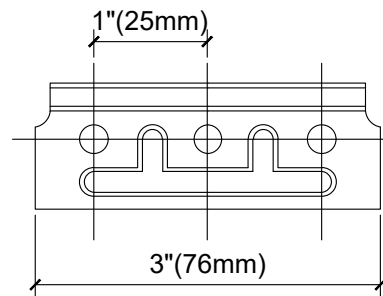
SPECIFICATIONS	
APPLICATION	WALL
PANEL COVERING	12" (305mm)
	16" (406mm)
PANEL DEPTH	2" (51mm)
MINIMUM LENGTH	48" (1.2m)
MAXIMAL LENGTH RECOMMENDED	22' (6.8m)

AVAILABLE	
MATERIALS	
ALUMINUM	0.032" , 0.040" (0.8mm , 1.0mm)
PAINTED STEEL	24 GA.

EXPANSION FACTORS FOR SPACING	
PANEL LENGTH 22' (6.8m)	
STEEL	$\frac{5}{8}$ " (8mm) min.
ALUMINUM	$\frac{11}{16}$ " (17mm) min.

INSTALLATION DETAILS	
PAGE 2-3	↳ VERTICAL APPLICATION • SOLID SUBSTRATE
PAGE 4-5	↳ VERTICAL APPLICATION • OPEN FRAMING
PAGE 6	PANEL INSTALLATION - SPECIFIC DETAILS
PAGE 7-8	TRIMS AND ACCESSORIES

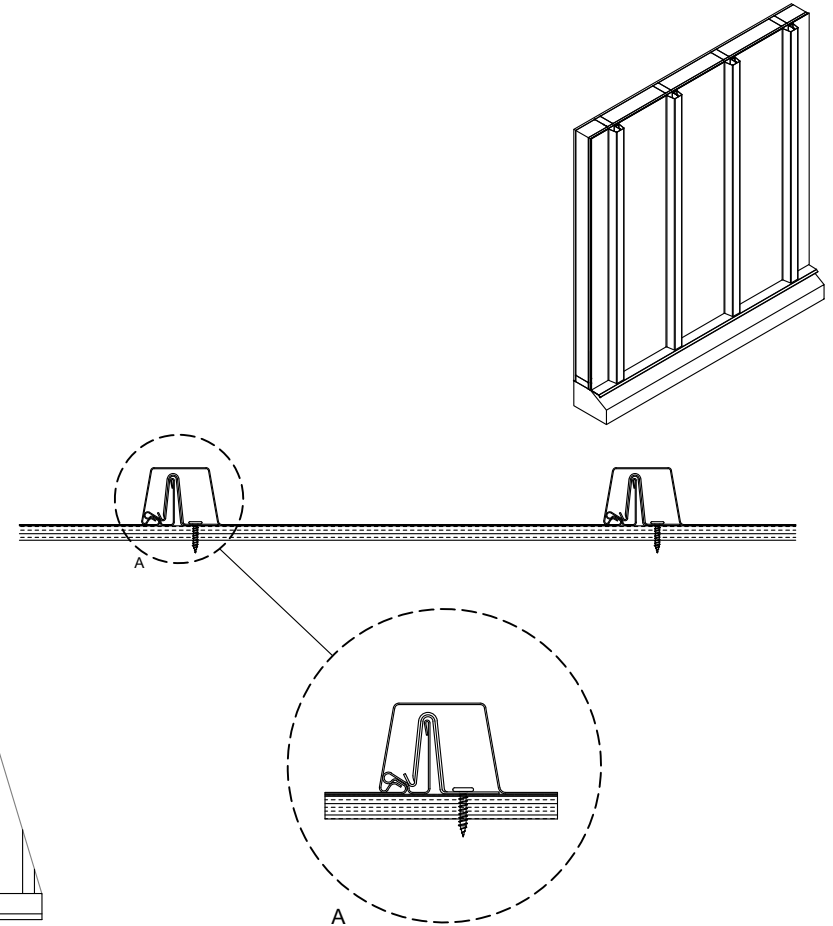
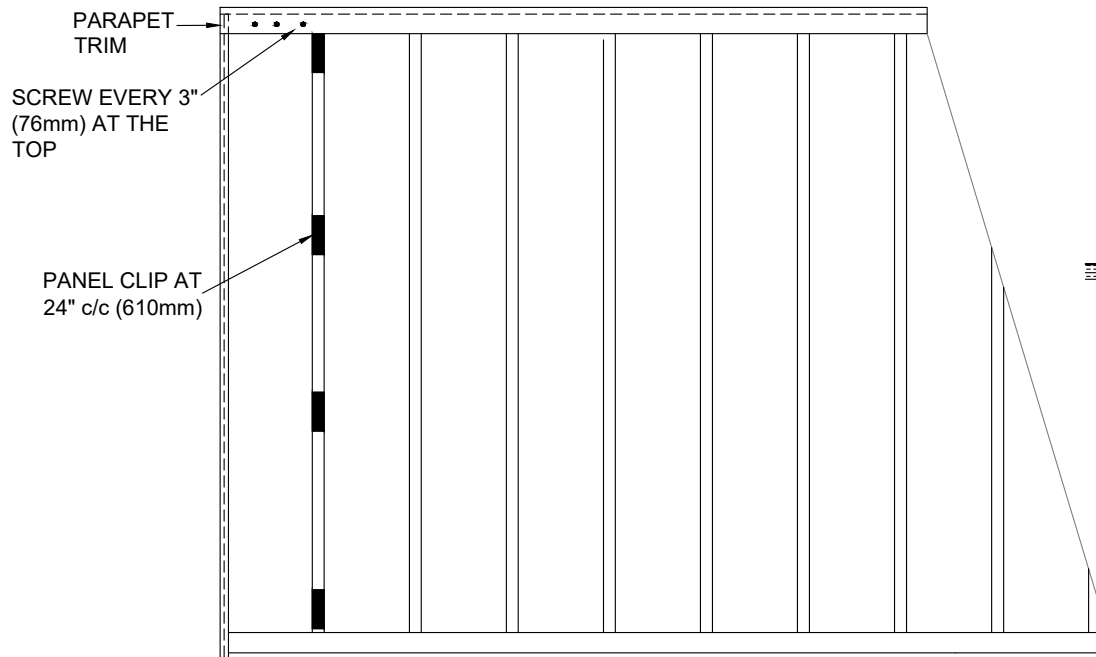
PANEL CLIP



NOTE : STIFFENING RIBS REPRESENTED ON THE PANEL ARE OPTIONAL.

VERTICAL INSTALLATION
 SOLID SUBSTRATE

ELEVATION



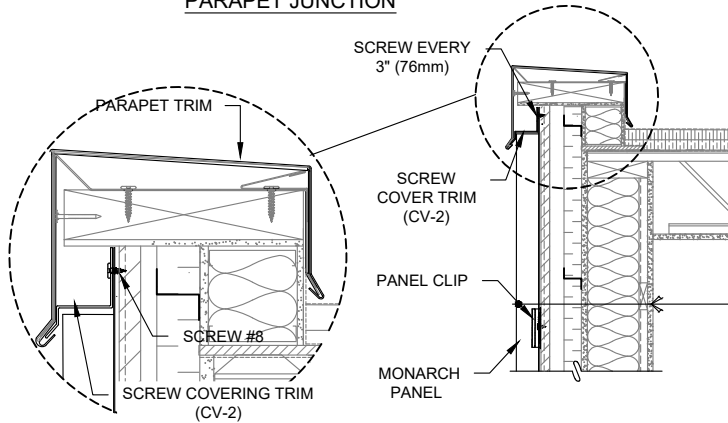
NOTES :
 THE EXPANSION OF ALUMINUM AND STEEL DEPENDS ON A COMBINATION OF SEVERAL FACTORS: THE LENGTH AND WIDTH OF THE PANEL, THE THICKNESS OF THE MATERIAL, ITS COLOR, THE LEVEL OF SUN EXPOSURE, THE TEMPERATURE DURING INSTALLATION. PROVIDE SUFFICIENT EXPANSION SPACE ACCORDING TO THESE FACTORS (SEE EXPANSION FACTOR TABLE).
 THE PANEL IS INSTALLED FROM LEFT TO RIGHT.

MONARCH SIDING

VERTICAL INSTALLATION SOLID SUBSTRATE

WALL STRUCTURE

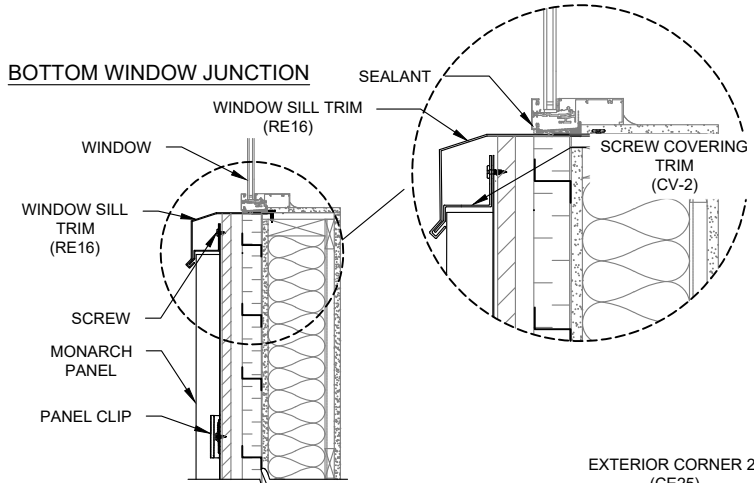
PARAPET JUNCTION



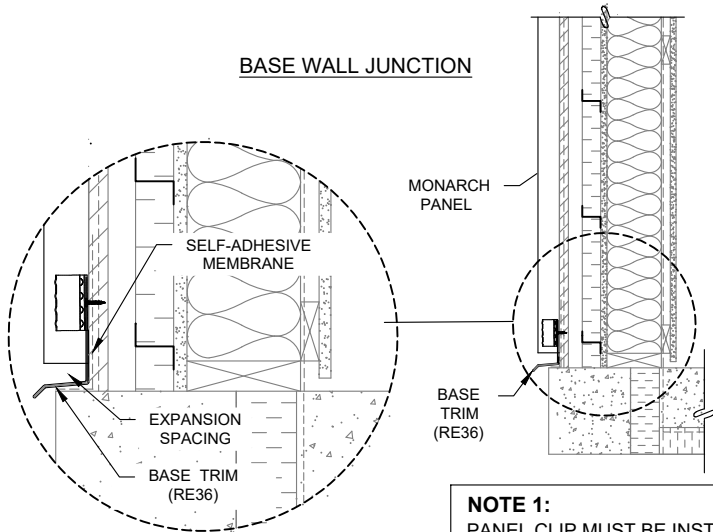
EXTERIOR WALL

- MONARCH METAL PANEL
- SELF-ADHESIVE MEMBRANE
- $\frac{5}{8}$ " PLYWOOD SHEATHING
- VERTICAL Z BAR
- INSULATION PANEL
- AIR BARRIER MEMBRANE
- EXTERIOR GYPSE
- WOOD STUD
- MINERAL FIBER INSULATION
- VAPOR BARRIER MEMBRANE
- HORIZONTAL WOOD BATTEN
- GYPSE PANEL

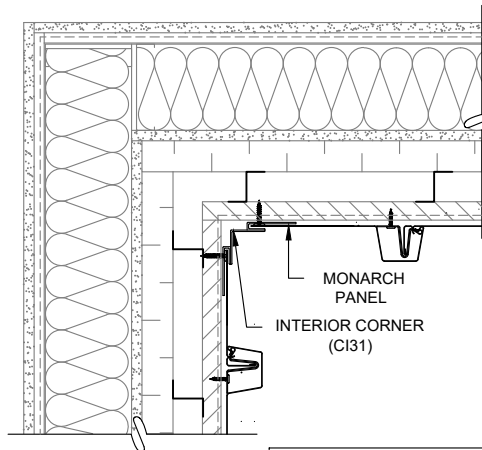
BOTTOM WINDOW JUNCTION



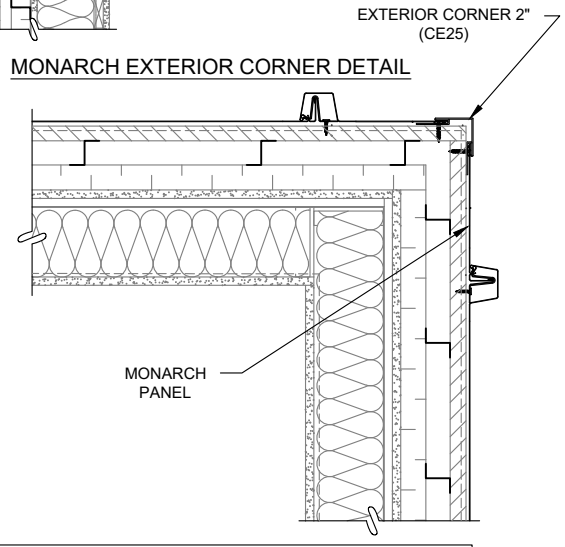
BASE WALL JUNCTION



MONARCH INTERIOR CORNER DETAIL



MONARCH EXTERIOR CORNER DETAIL

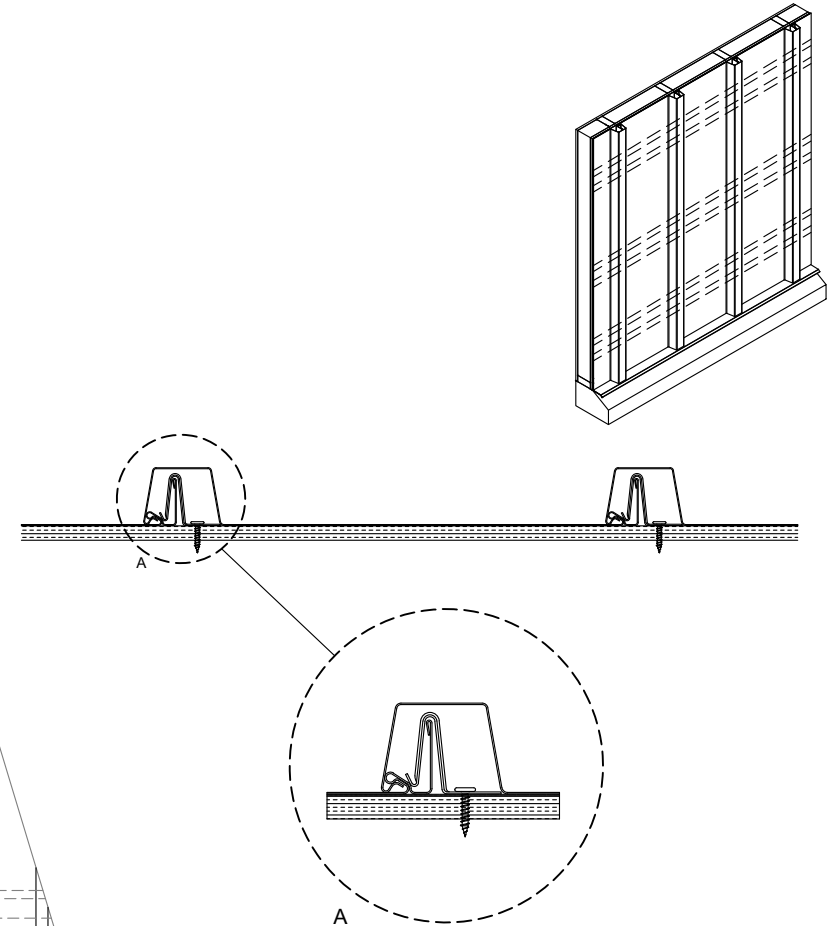
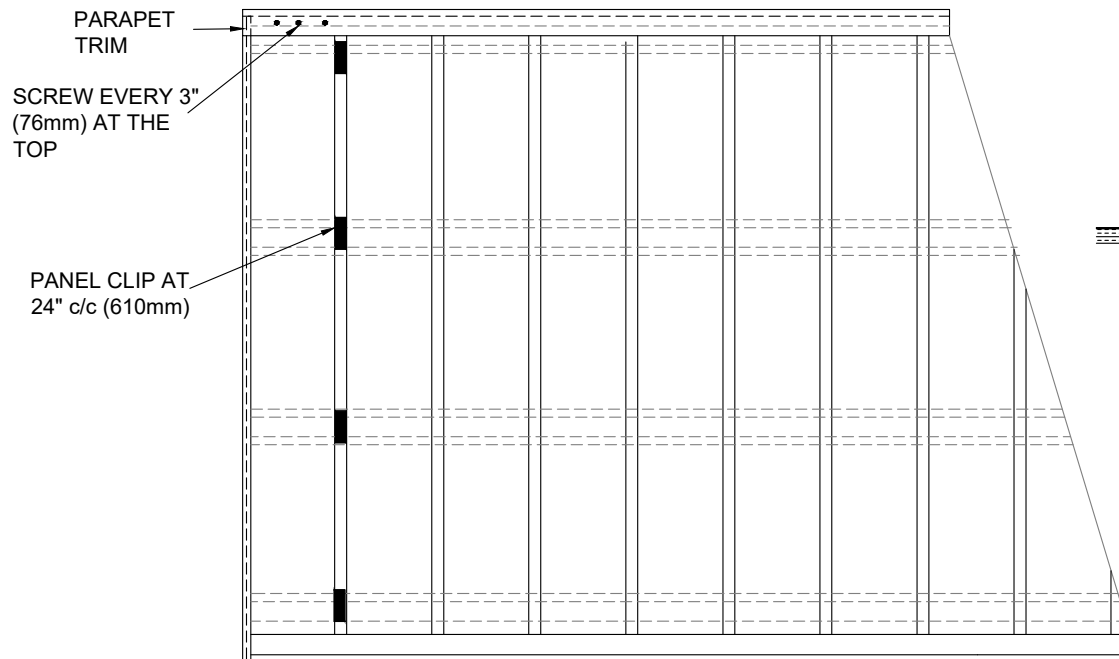


NOTE 1:
 PANEL CLIP MUST BE INSTALLED AS CLOSE AS POSSIBLE TO THE PANEL EDGE.

NOTE 2:
 PROVIDE A THERMAL EXPANSION SPACE AT THE BOTTOM OF THE PANEL (SEE EXPANSION FACTOR TABLE)
 WALL CUT FOR INFORMATION ONLY

VERTICAL INSTALLATION
 OPEN FRAMING

ELEVATION



NOTES :

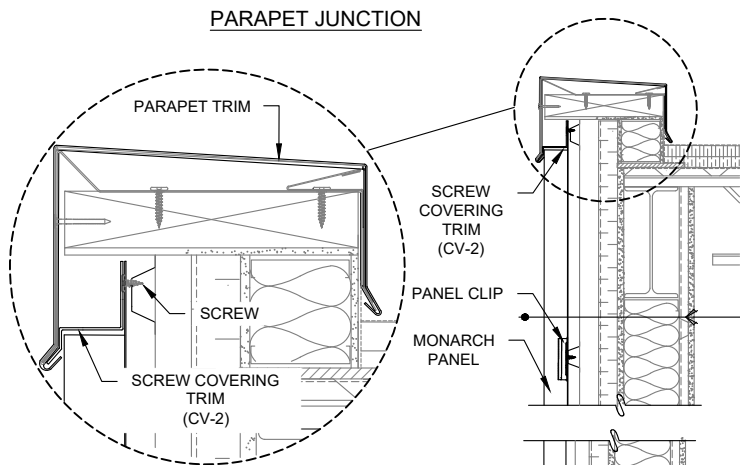
METAL SUBGIRT INSTALLATION AT 24" c/c. (610mm) (IF SPACING IS DIFFERENT, REFER TO TABLE OF CHARGES.)

RUBAN THERMIQUE, PANNEAU DUTCH SEAM SUR FOURRURES MÉTALLIQUES.

MONARCH SIDING

VERTICAL INSTALLATION OPEN FRAMING

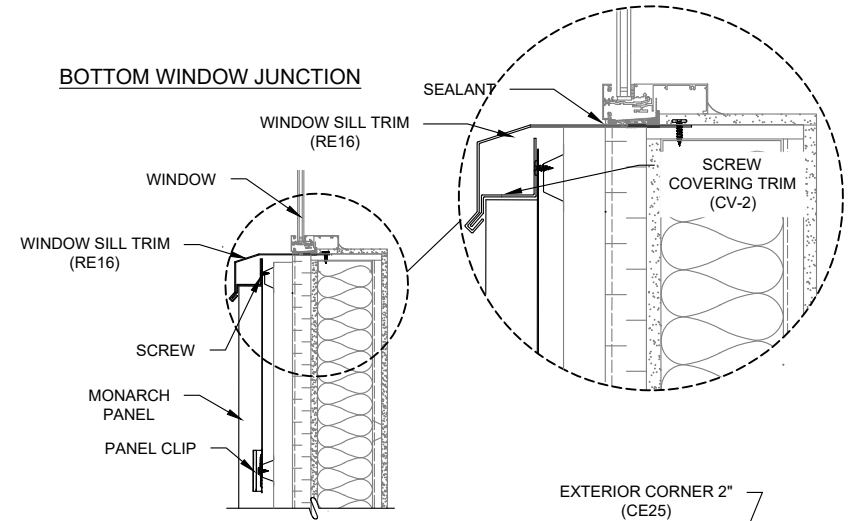
WALL STRUCTURE



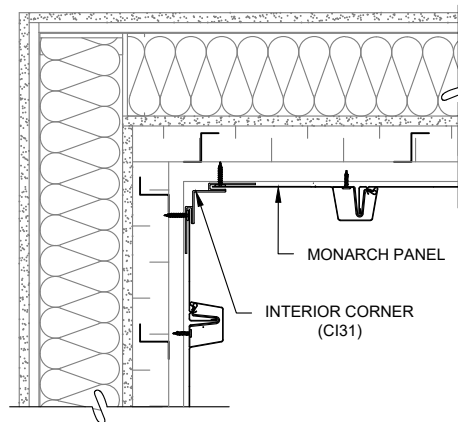
EXTERIOR WALL

- MONARCH METAL PANEL
- THERMAL TAPE (NOTE 3)
- HORIZONTAL METAL SUBGIRT
- VERTICAL Z BARS
- INSULATION PANEL
- AIR BARRIER MEMBRANE
- EXTERIOR GYPSE
- METAL STUD
- MINERAL FIBER INSULATION
- VAPOR BARRIER MEMBRANE
- HORIZONTAL METAL SUBGIRT
- GYPSE PANEL

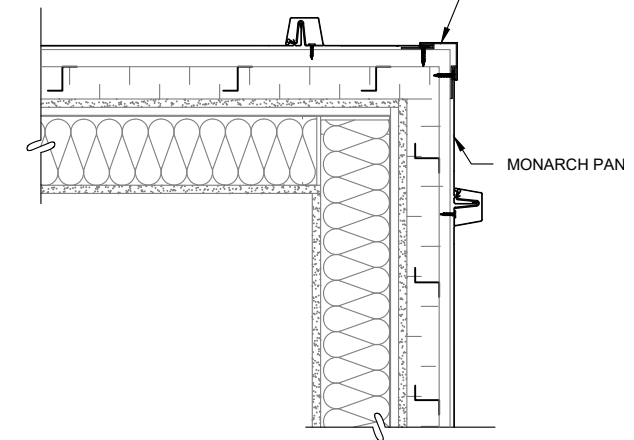
BOTTOM WINDOW JUNCTION



MONARCH INTERIOR CORNER DETAIL



MONARCH EXTERIOR CORNER DETAIL



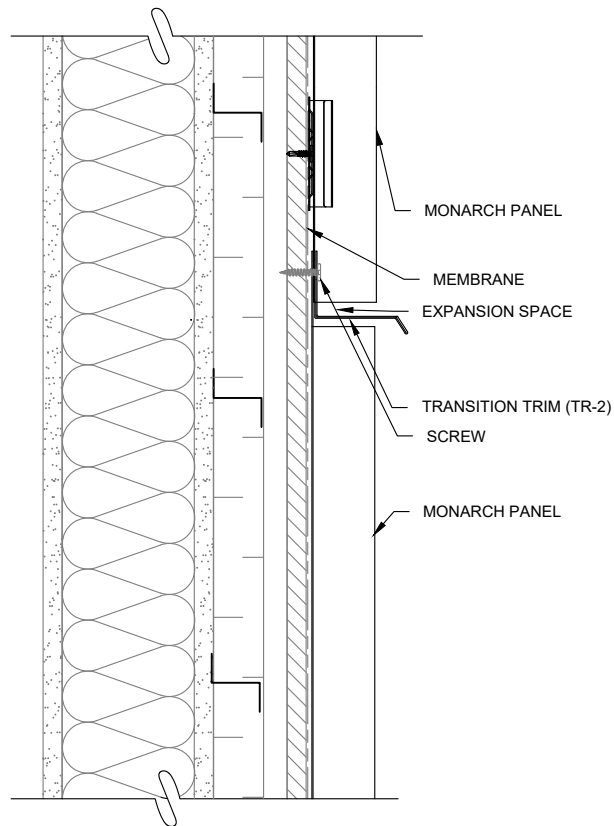
NOTE 1:
 PANEL CLIP MUST BE INSTALLED AS CLOSE AS POSSIBLE TO THE PANEL EDGE.

NOTE 3:
 THERMAL TAPE PVC FOAM LOW DENSITY THICKNESS OF $\frac{1}{8}$ " (3mm)

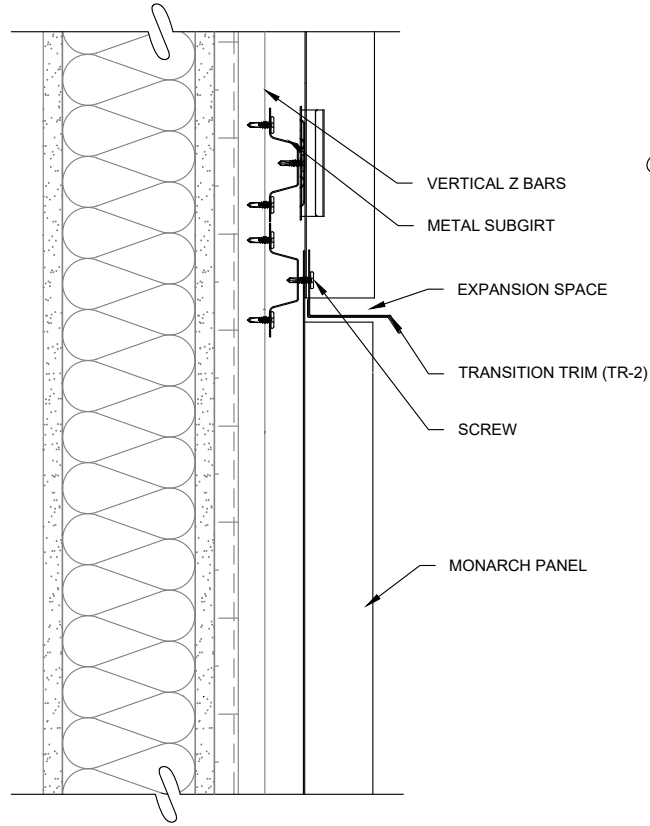
NOTE 2:
 PROVIDE A THERMAL EXPANSION SPACE AT THE BOTTOM OF THE PANEL (SEE EXPANSION FACTOR TABLE)
 WALL CUT FOR INFORMATION ONLY

PANEL INSTALLATION - SPECIFIC DETAILS

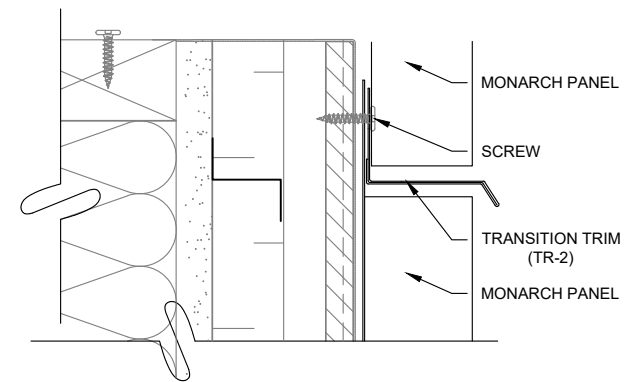
HORIZONTAL TRANSITION INSTALLATION
 SOLID SUBSTRATE



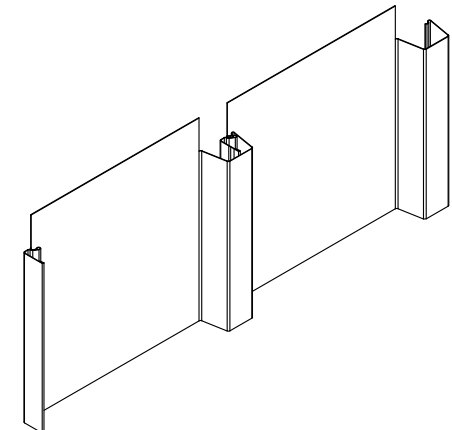
HORIZONTAL TRANSITION INSTALLATION
 OPEN FRAMING



SCREW COVERING TRIM ON SOLID
 SUBSTRATE OR OPEN FRAMING

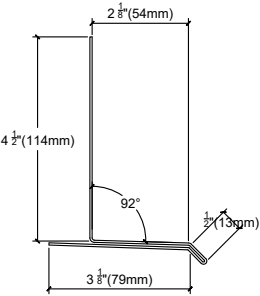
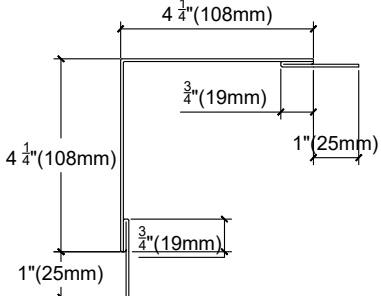
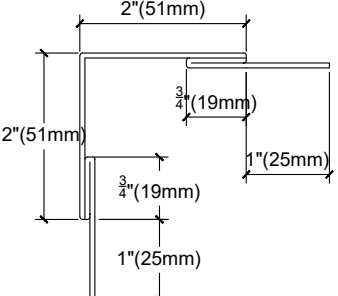
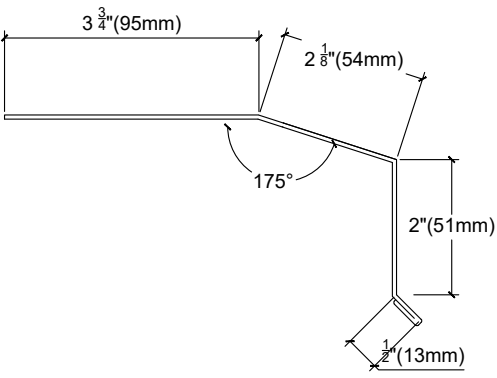
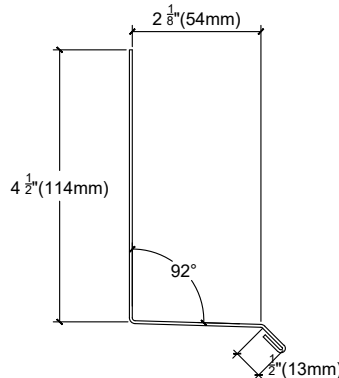
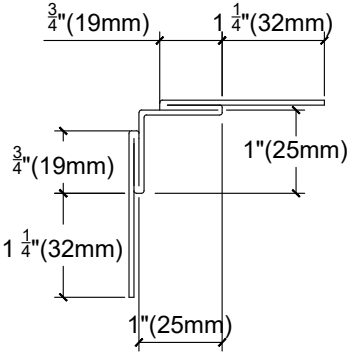


3D REPRESENTATION PANEL NOTCH



NOTE :
 WALL CUT FOR INFORMATION ONLY.

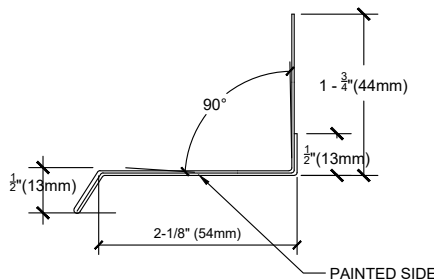
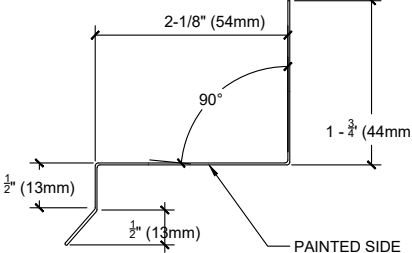
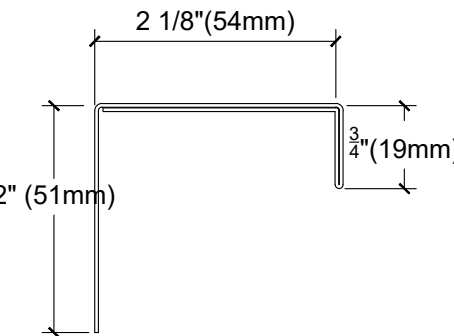
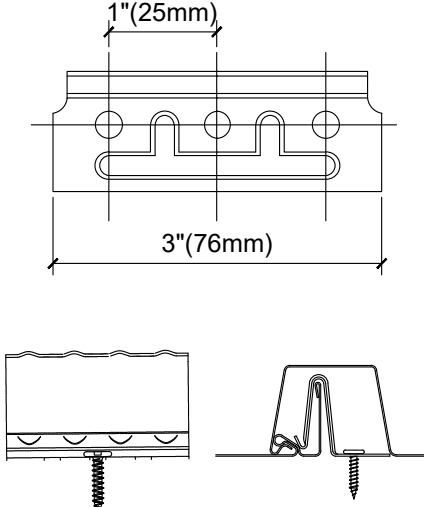
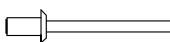
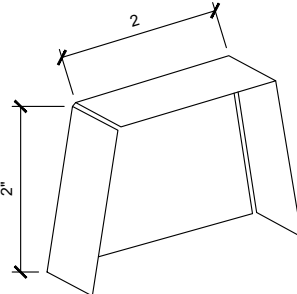
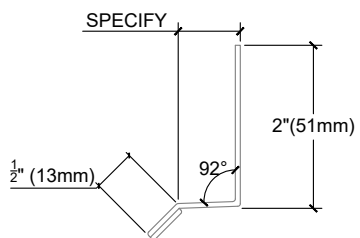
TRIMS AND ACCESSORIES

<p>T WINDOW TRIM (RE38) RAW MATERIAL : 7,62" (194mm)</p> 	<p>EXTERIOR CORNER (CE30) RAW MATERIAL : 13,5" (343mm)</p> 	<p>EXTERIOR CORNER (CE25) RAW MATERIAL : 9,0" (229mm)</p> 
<p>WINDOW SILL TRIM (RE17) RAW MATERIAL : 8,88" (225mm)</p> 	<p>BASE TRIM (RE36) RAW MATERIAL : 7,63" (193mm)</p> 	<p>INTERIOR CORNER (CI31) RAW MATERIAL : 7,5" (91mm)</p> 

NOTE FOR TRIMS :

- THE EXPANSION OF ALUMINUM AND STEEL DEPENDS ON A COMBINATION OF SEVERAL FACTORS: THE LENGTH AND WIDTH OF THE PANEL, THE THICKNESS OF THE MATERIAL, ITS COLOR, THE LEVEL OF SUN EXPOSURE, THE TEMPERATURE DURING INSTALLATION. PROVIDE SUFFICIENT EXPANSION SPACE ACCORDING TO THESE FACTORS (SEE EXPANSION FACTOR TABLE).

TRIMS AND ACCESSORIES

<p>TRANSITION TRIM (TR-2) RAW MATERIAL : 7,55" (192mm)</p> 	<p>SCREW COVERING TRIM (CV-2) RAW MATERIAL : 4,75" (121mm)</p> 	<p>CLOSURE TRIM (MJ13) RAW MATERIAL : 7,75" (121mm)</p> 	<p>PANEL CLIP (24" MAX.) (610mm) (MRS904)</p> 
<p>NOTE FOR TRIMS :</p> <ul style="list-style-type: none"> - THE EXPANSION OF ALUMINUM AND STEEL DEPENDS ON A COMBINATION OF SEVERAL FACTORS: THE LENGTH AND WIDTH OF THE PANEL, THE THICKNESS OF THE MATERIAL, ITS COLOR, THE LEVEL OF SUN EXPOSURE, THE TEMPERATURE DURING INSTALLATION. <p>PROVIDE SUFFICIENT EXPANSION SPACE ACCORDING TO THESE FACTORS (SEE EXPANSION FACTOR TABLE).</p>  <p>POP RIVET (RSR3) PAINTED STAINLESS STEEL</p>	<p>MONARCH ALUMINUM PLUG (MRB001) FIXED WITH POP RIVET</p> 	<p>BASE TRIM TO SPECIFY (RE32)</p> 	<p>TRANSITION TRIM (MT10) RAW MATERIAL : 11" (279mm)</p> 