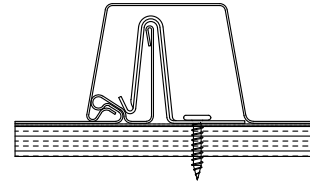
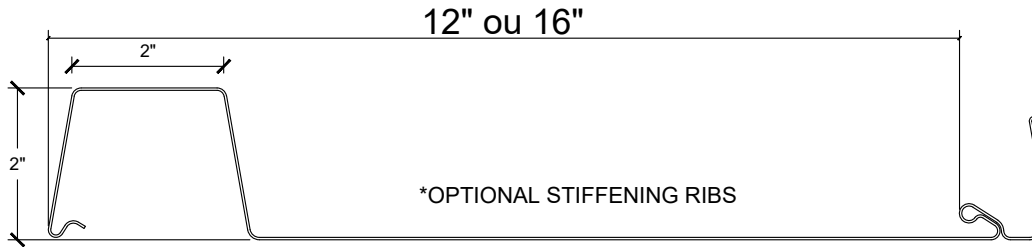
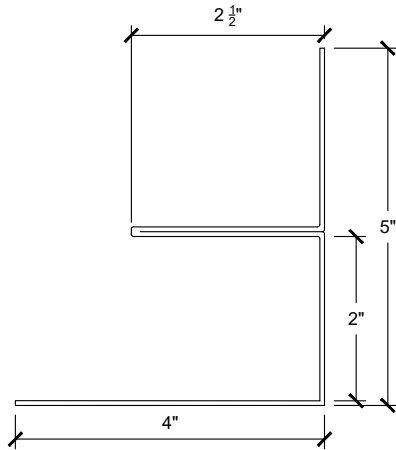


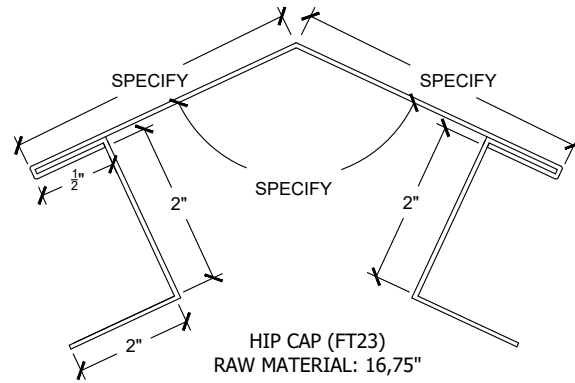
MONARCH PANEL MRB120 (12") AND MRB160 (16")



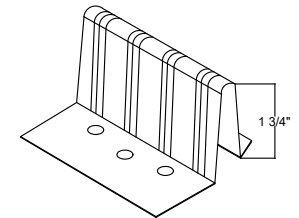
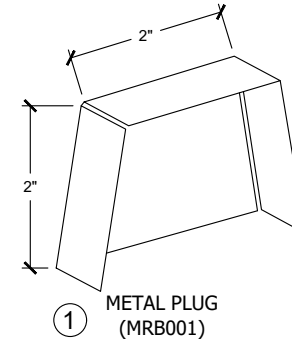
*OPTIONAL STIFFENING RIBS



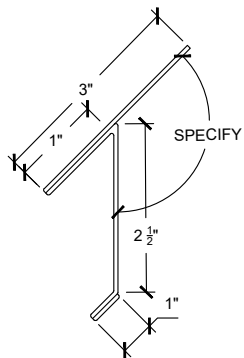
ROOF/WALL JUNCTION TRIM
(TM23)
RAW MATERIAL: 16,25"



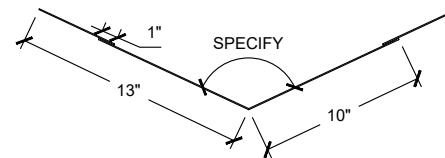
HIP CAP (FT23)
RAW MATERIAL: 16,75"



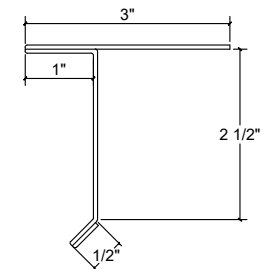
PANEL CLIP
ELEVATION (24" c/c)
(MRS990)



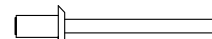
EAVE TRIM
(MD10)
RAW MATERIAL: 7,5"



VALLEY
(NO10)
RAW MATERIAL: 30,0"



GABLE TRIM
(MD20)
RAW MATERIAL: 7,5"

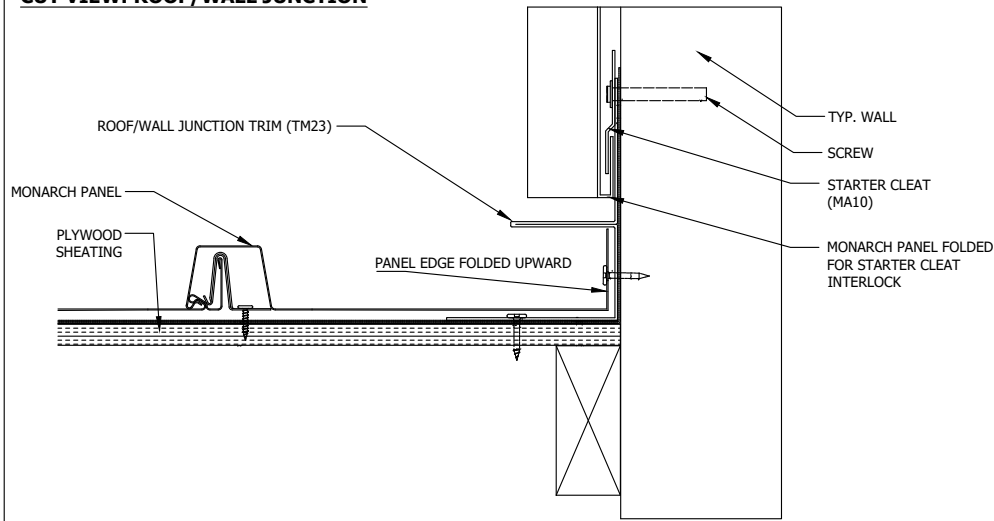


POP RIVET
PAINTED STAINLESS STEEL
(RSR3)

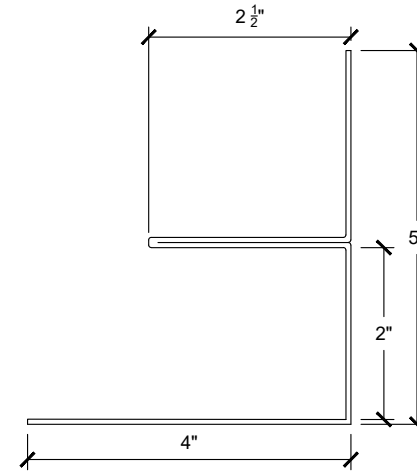
ER Tiles
ARCHITECTURAL METAL SIDING • ROOFING
3856 Rue Imelda-Lefebvre,
Sherbrooke
QC J1N 1B2
Tél: (819) 791-3276

Product: MONARCH ROOF PANEL		
*Vertical installation on roof Aluminum 0.032", 0.040" Steel 24 GA.		
Technical file	Page 1 / 6	Update: 2024 - 07 - 08

CUT VIEW: ROOF/WALL JUNCTION

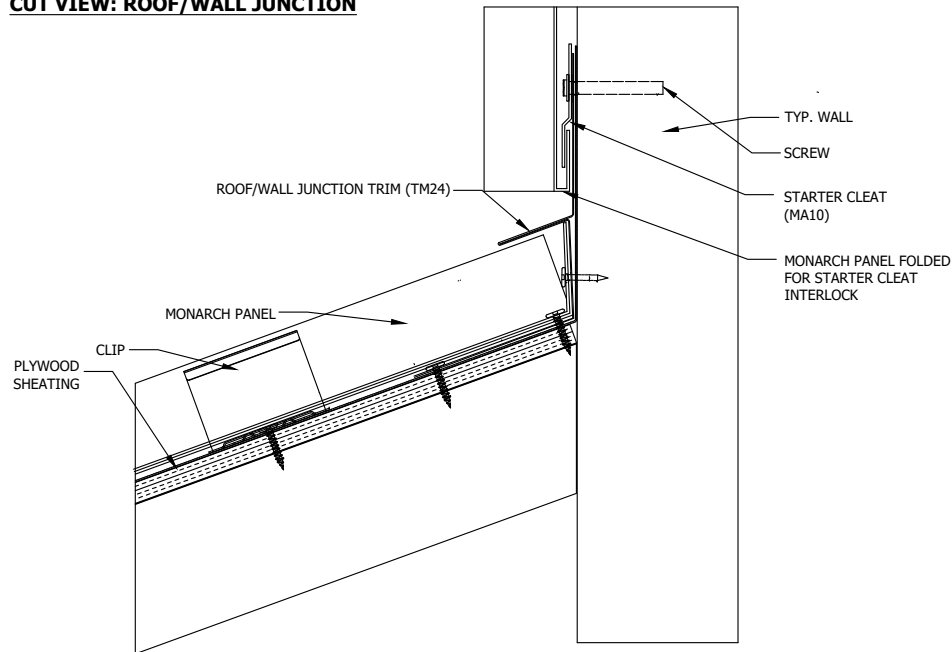


TRIM DETAIL

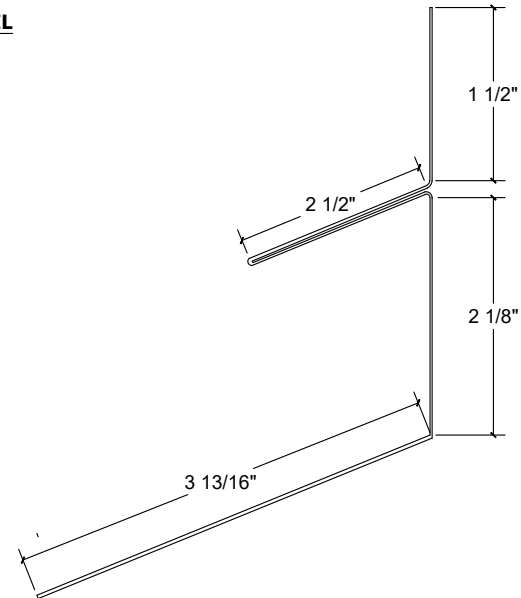


Trim name: Roof/wall junction trim
Product number: TM23
Raw material: 16,25"

CUT VIEW: ROOF/WALL JUNCTION



TRIM DETAIL



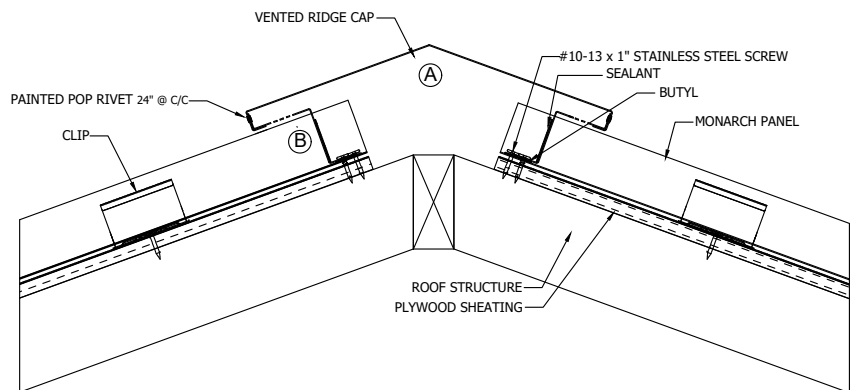
Trim name: Roof/wall junction trim
Product number: TM24
Raw material: 12,44"

ER Tiles
ARCHITECTURAL METAL SIDING • ROOFING
 3856 Rue Imelda-Lefebvre,
 Sherbrooke
 QC J1N 1B2
 Tél: (819) 791-3276

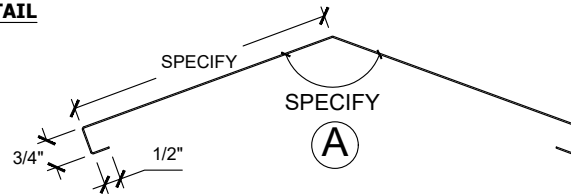
Product: MONARCH ROOF PANEL:
 ROOF/WALL JUNCTION

***Vertical installation on roof**
 Aluminum 0.032", 0.040"
 Steel 24 GA.

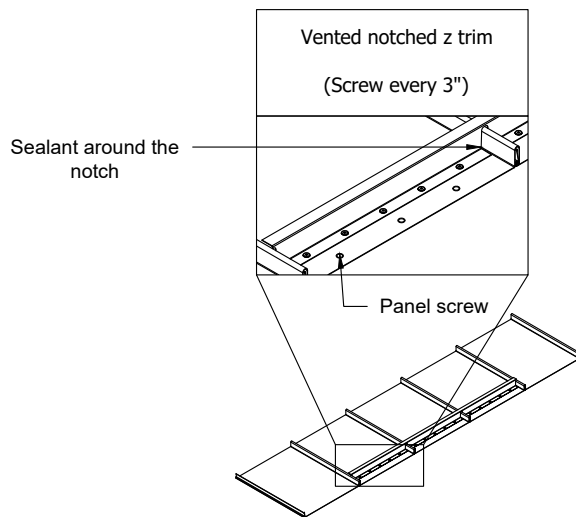
ROOF CUT: VENTED RIDGE



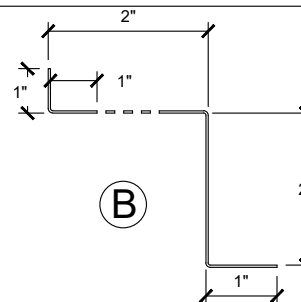
TRIM DETAIL



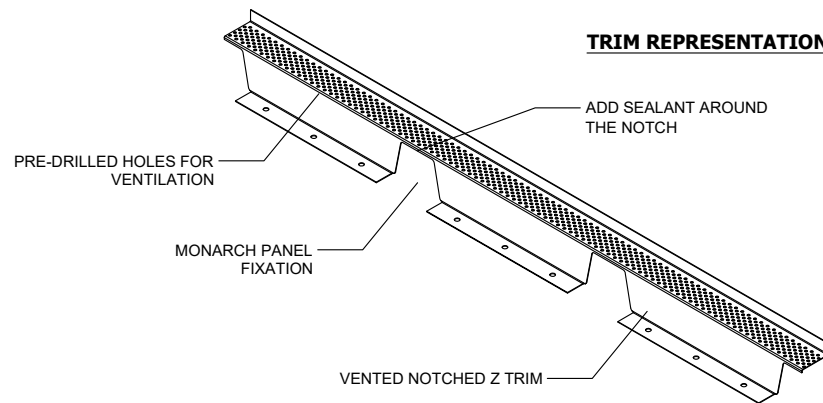
Trim name: Vented ridge cap
Product number: MRA322
Dimensions: To be specified with slope



TRIM DETAIL



TRIM REPRESENTATION



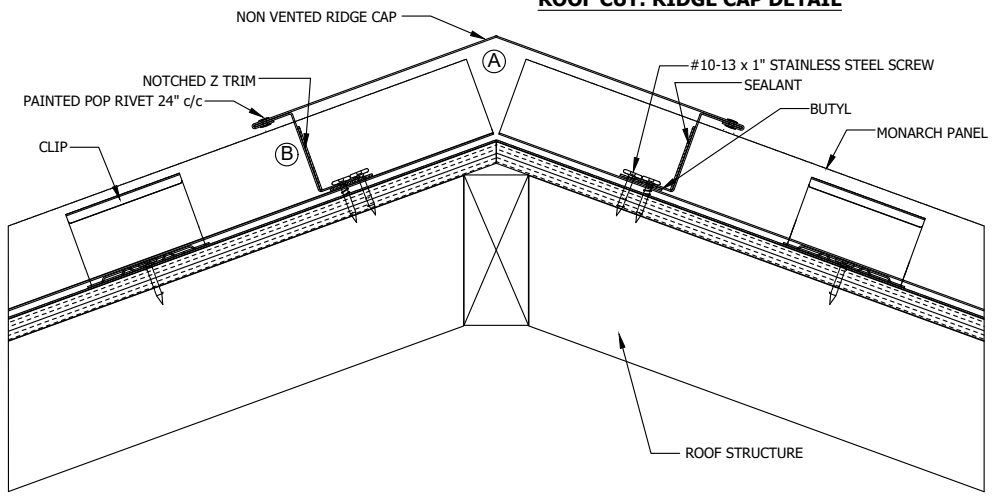
Trim name: Vented notched z trim
Length: 32 1/4" MRB160
 24" MRB120

ER Tiles
 ARCHITECTURAL METAL SIDING • ROOFING
 3856 Rue Imelda-Lefebvre,
 Sherbrooke
 QC J1N 1B2
 Tél: (819) 791-3276

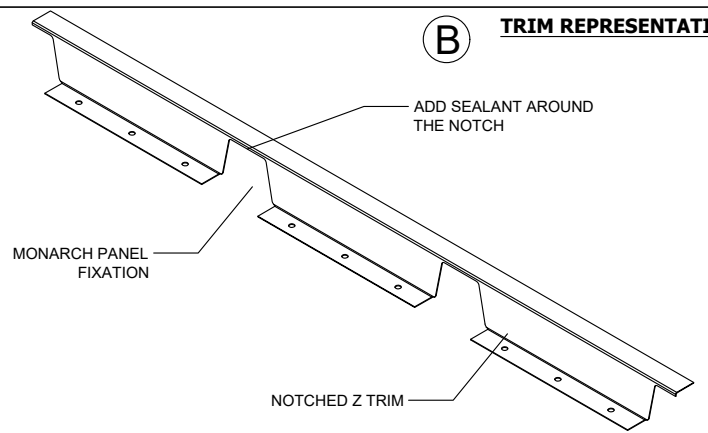
Product: MONARCH ROOF PANEL:
 VENTED RIDGE

***Vertical installation on roof**
 Aluminum 0.032", 0.040"
 Steel 24 GA.

ROOF CUT: RIDGE CAP DETAIL



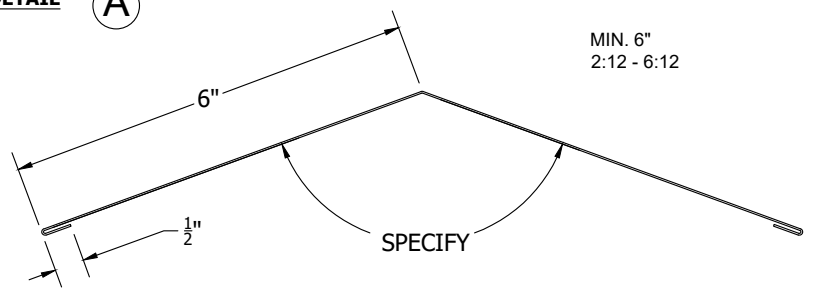
TRIM REPRESENTATION



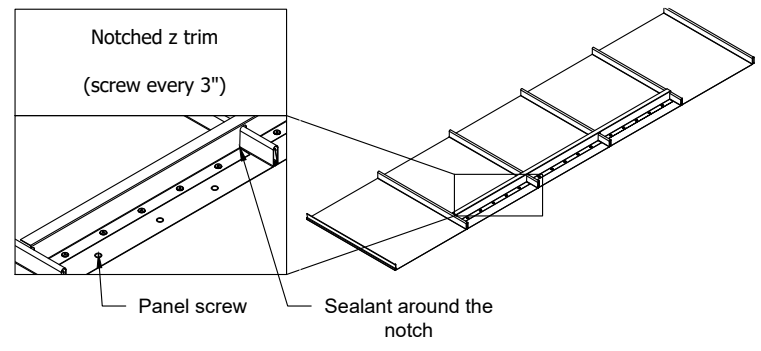
Trim name: Notched z trim
Length: 32 1/4" MRB160
 24" MRB120

TRIM DETAIL

A



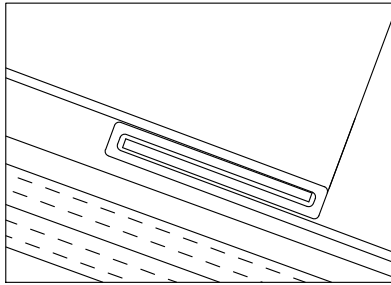
Trim name: Non vented ridge cap
Product number: MRA301
Angle: To be specified with slope



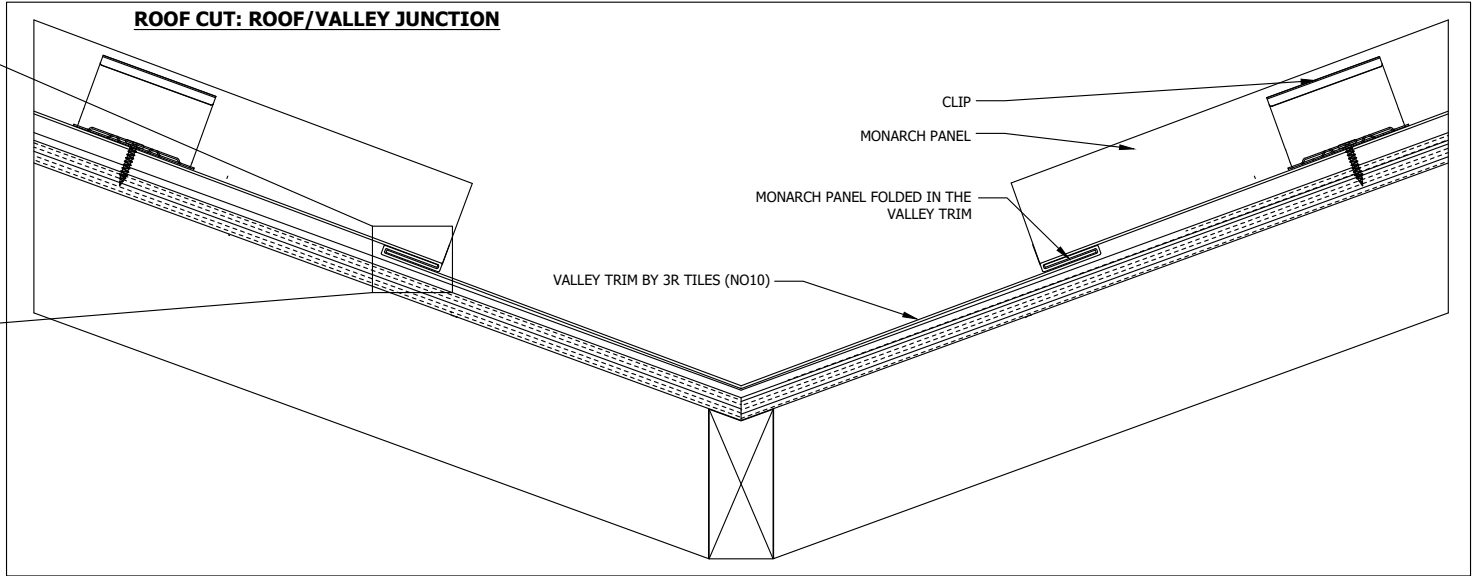
ERTiles
 ARCHITECTURAL METAL SIDING • ROOFING
 3856 Rue Imelda-Lefebvre,
 Sherbrooke
 QC J1N 1B2
 Tél: (819) 791-3276

Product: MONARCH ROOF PANEL: RIDGE DETAIL		
*Vertical installation on roof Aluminum 0.032", 0.040" Steel 24 GA.		
Technical file	Page 4 / 6	Update: 2024 - 07 - 08

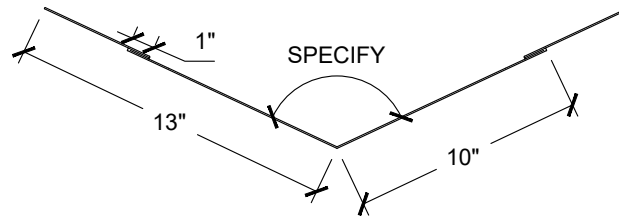
ROOF CUT: ROOF/VALLEY JUNCTION



MONARCH PANEL FOLDED IN THE VALLEY TRIM FOR INTERLOCKING



TRIM DETAIL



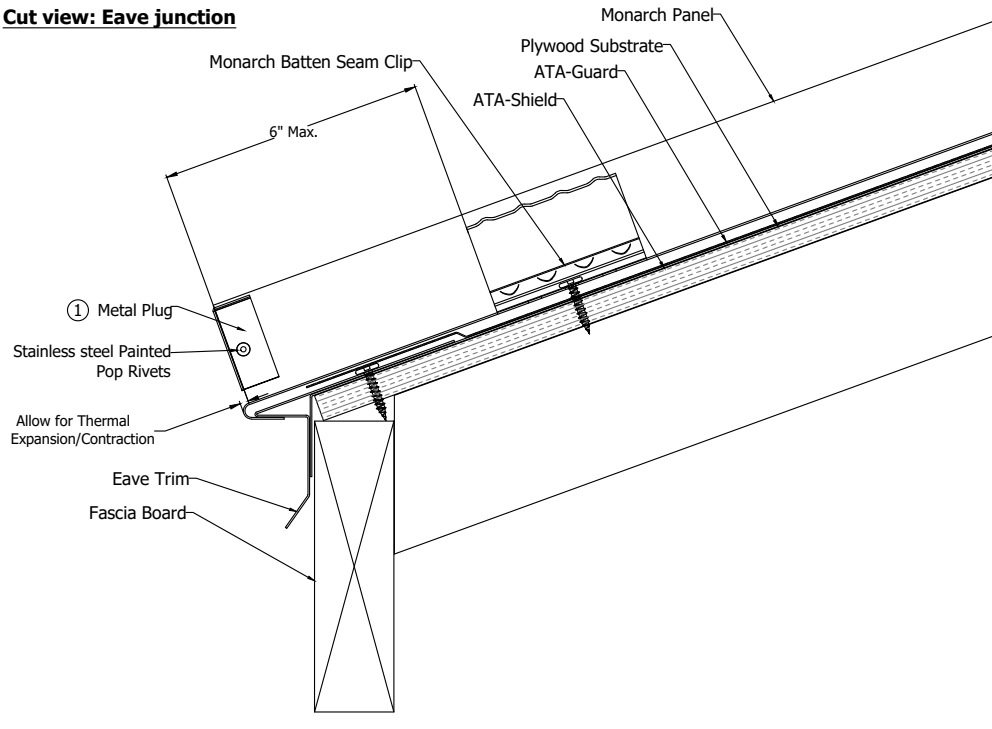
Trim name: VALLEY
Product number: NO10

ER Tiles
ARCHITECTURAL METAL SIDING • ROOFING
 3856 Rue Imelda-Lefebvre,
 Sherbrooke
 QC J1N 1B2
 Tél: (819) 791-3276

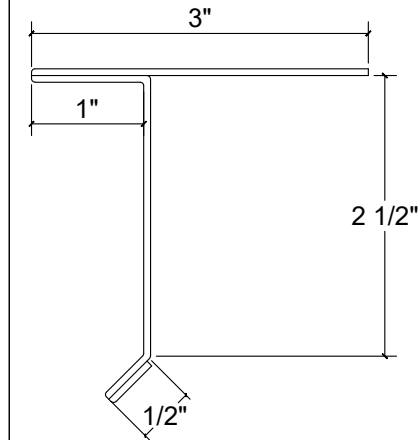
Product: MONARCH ROOF PANEL:
 VALLEY DETAIL

***Vertical installation on roof**
 Aluminum 0.032", 0.040"
 Steel 24 GA.

Cut view: Eave junction

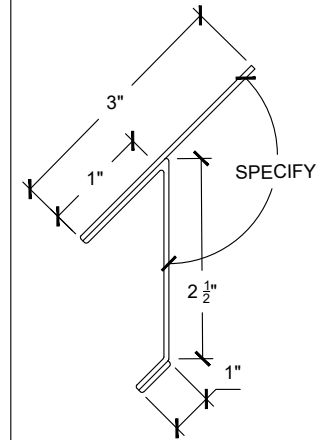


TRIM DETAIL



Trim name: Gable trim
Product number: MD20

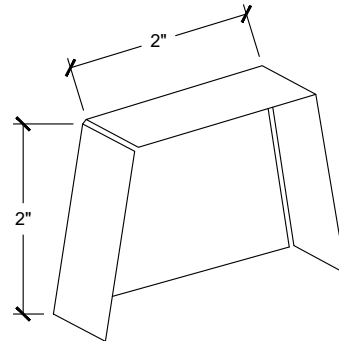
TRIM DETAIL



Trim name: Eave trim
Product number: MD10

①

PLUG DETAIL



Accessory name: Monarch aluminum plug
Product number: MRB001

ER Tiles
 ARCHITECTURAL METAL SIDING • ROOFING
 3856 Rue Imelda-Lefebvre,
 Sherbrooke
 QC J1N 1B2
 Tél: (819) 791-3276

Product: MONARCH ROOF PANEL:
 EAVE DETAIL

***Vertical installation on roof**
 Aluminum 0.032", 0.040"
 Steel 24 GA.