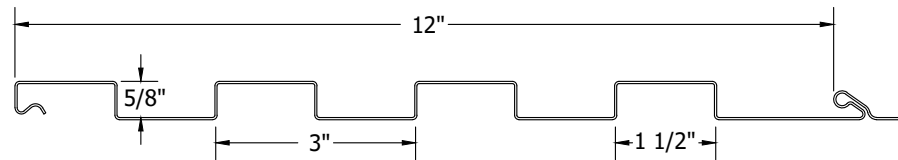
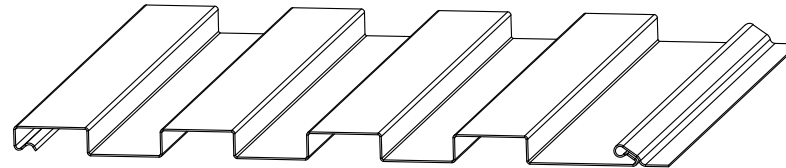


SPECIFICATION	
APPLICATION	WALL
PANEL COVERING	12" (305mm)
PANEL DEPTH	$\frac{5}{8}$ " (16mm)
MINIMUM LENGTH	1'- 6" (457mm)
MAXIMUM LENGTH RECOMMENDED	22' (6.8m)

AVAILABLE	
MATERIAL	
ALUMINIUM	0.032" , 0.040" , 0.050" (0.8mm , 1.0mm , 1.27mm)

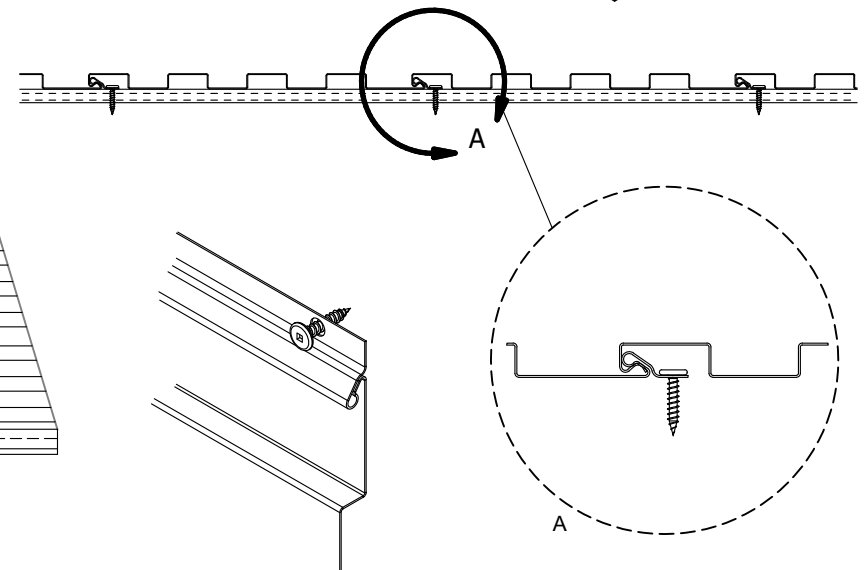
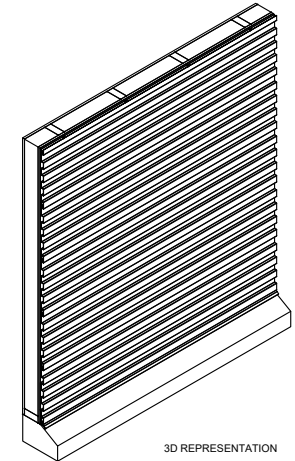
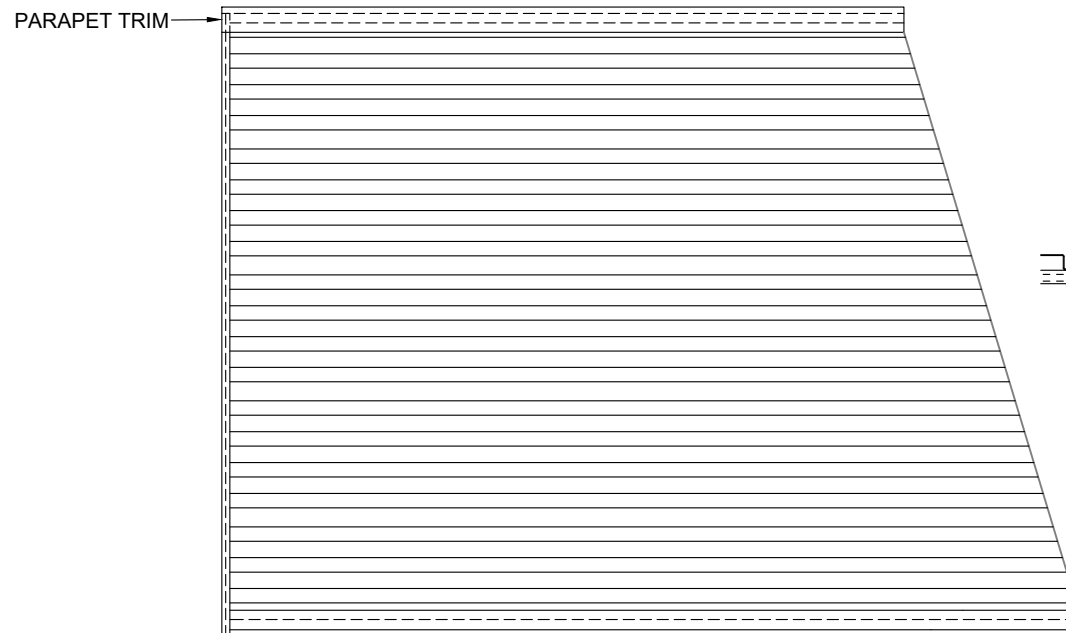
EXPANSION FACTORS FOR SPACING	
PANEL LENGTH	22' (6.8m)
ALUMINIUM	$\frac{11}{16}$ " (17mm)

INSTALLATION DETAILS	
PAGE 2-3	↳ HORIZONTAL APPLICATION • SOLID SUBSTRATE
PAGE 4-5	↳ HORIZONTAL APPLICATION • OPEN FRAMING
PAGE 6-7	↳ VERTICAL APPLICATION • SOLID SUBSTRATE
PAGE 8-9	↳ VERTICAL APPLICATION • OPEN FRAMING
PAGE 10	PANEL INSTALLATION - SPECIFIC DETAILS
PAGE 11	TRIMS AND ACCESSORIES



HORIZONTAL INSTALLATION SOLID SUBSTRATE

ELEVATION



NOTES :

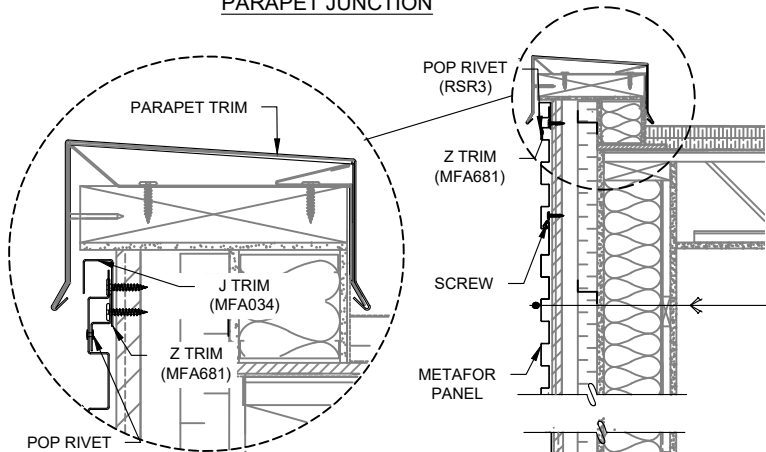
THE EXPANSION OF ALUMINUM AND STEEL DEPENDS ON A COMBINATION OF SEVERAL FACTORS: THE LENGTH AND WIDTH OF THE PANEL, THE THICKNESS OF THE MATERIAL, ITS COLOR, THE LEVEL OF SUN EXPOSURE, THE TEMPERATURE DURING INSTALLATION. PROVIDE SUFFICIENT EXPANSION SPACE ACCORDING TO THESE FACTORS (SEE EXPANSION FACTOR TABLE).

THE PANEL IS INSTALLED FROM THE BOTTOM UP.

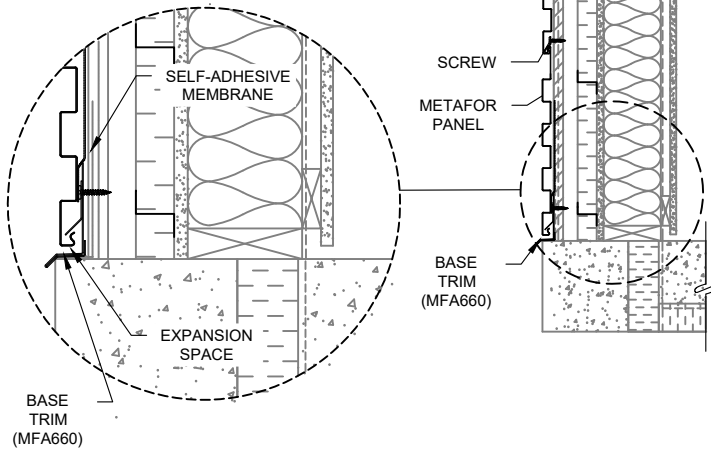
HORIZONTAL INSTALLATION SOLID SUBSTRATE

WALL STRUCTURE

PARAPET JUNCTION



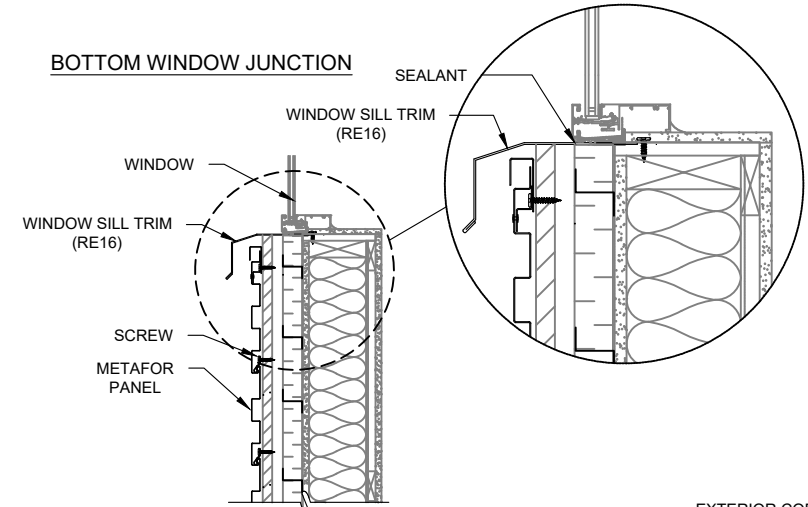
BASE WALL JUNCTION



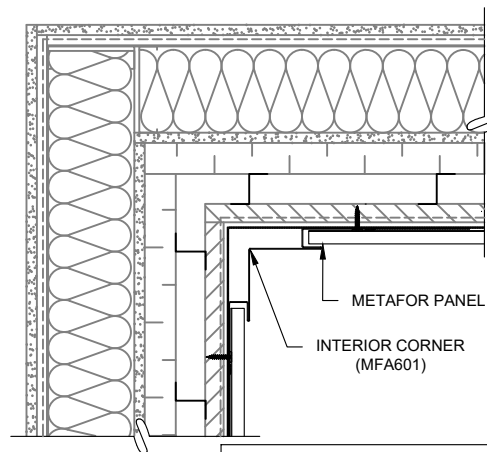
EXTERIOR WALL

- METAFOR ALUMINIUM PANEL
- SELF-ADHESIVE MEMBRANE
- 5/8" PLYWOOD SHEATHING
- VERTICAL Z BARS OR METAL SUBGIRT
- INSULATION PANEL
- AIR BARRIER MEMBRANE
- EXTERIOR GYPSE
- WOOD STUD
- MINERAL FIBER ISULATION
- VAPOR BARRIER MEMBRANE
- HORIZONTAL WOOD BATTEN
- GYPSE PANEL

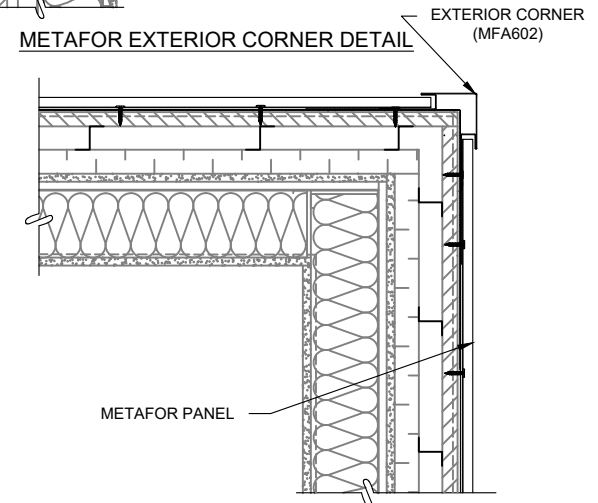
BOTTOM WINDOW JUNCTION



METAFOR INTERIOR CORNER DETAIL



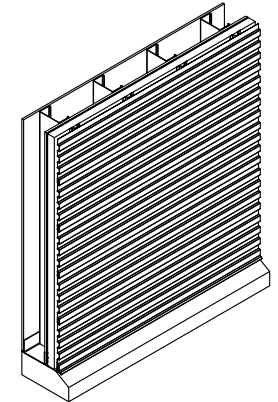
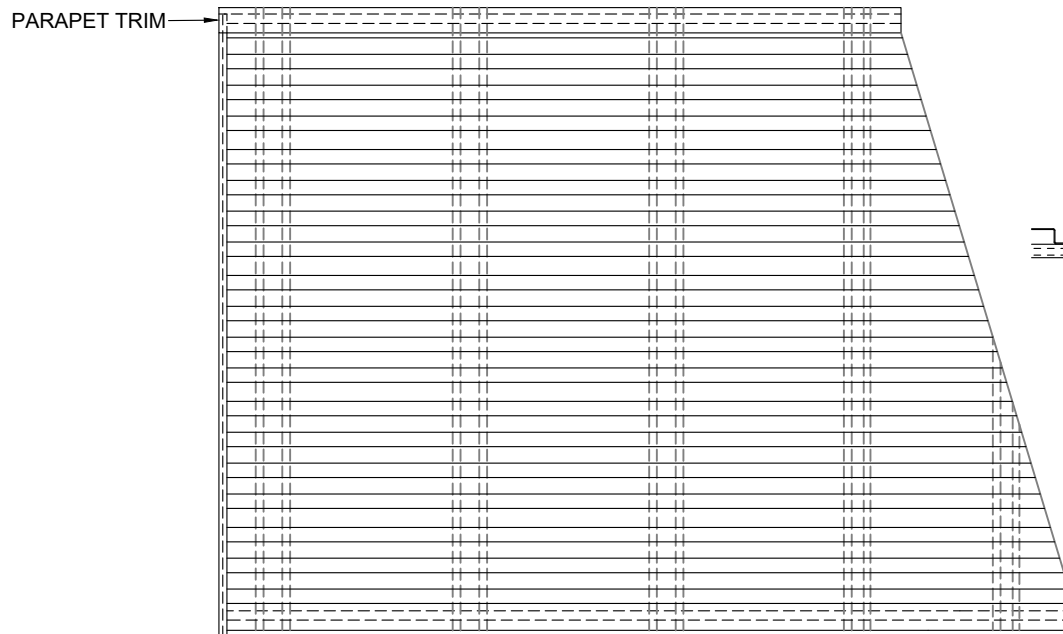
METAFOR EXTERIOR CORNER DETAIL



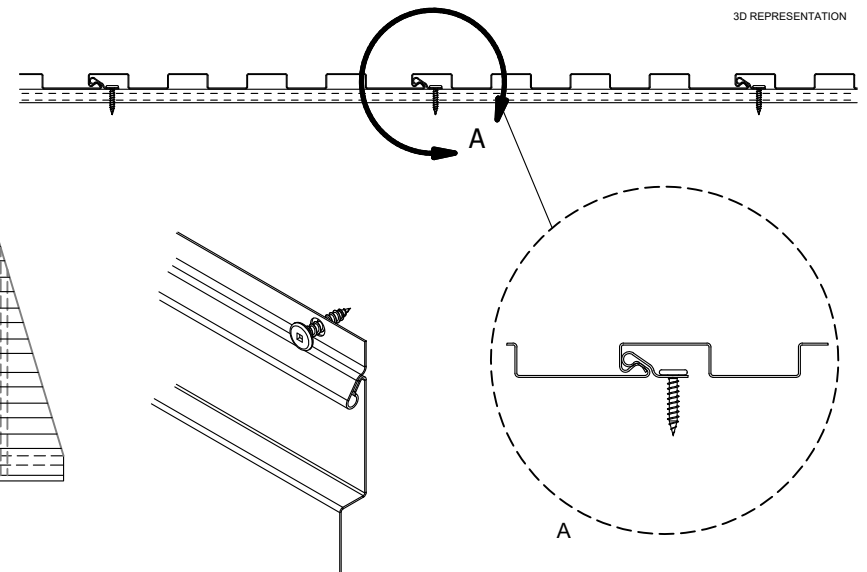
NOTES :
 PROVIDE A THERMAL EXPANSION SPACE AT THE BOTTOM OF THE PANEL
 (SEE EXPANSION FACTOR TABLE)
 WALL CUT FOR INFORMATION ONLY

HORIZONTAL INSTALLATION
OPEN FRAMING

ELEVATION



3D REPRESENTATION



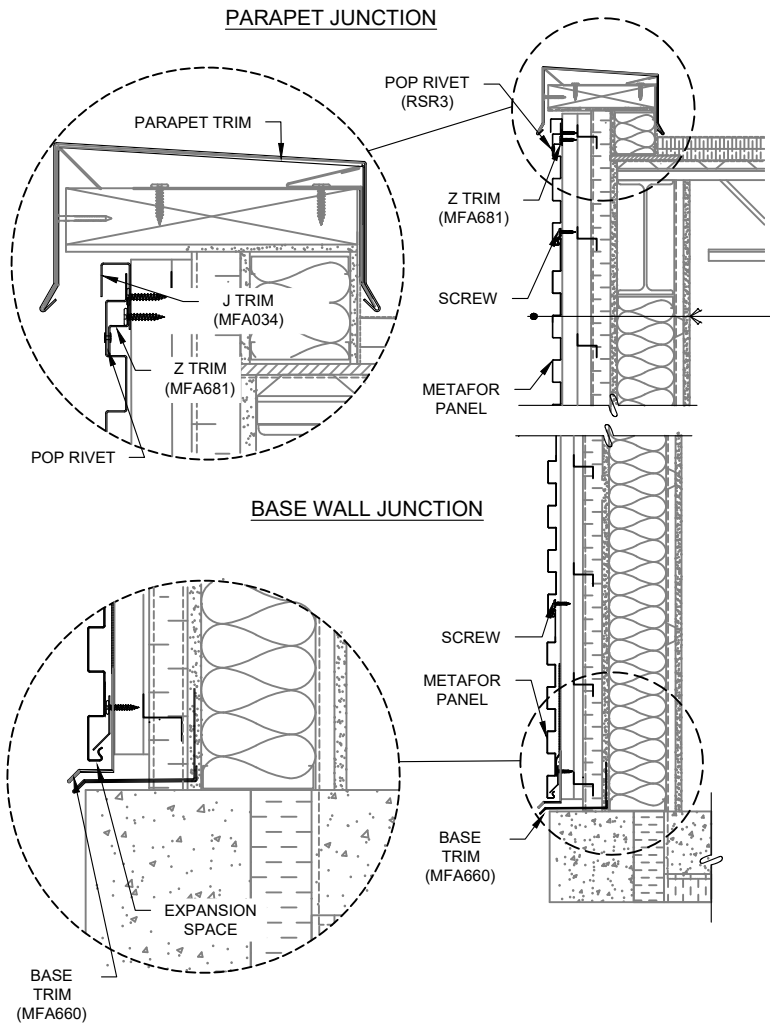
NOTES :

THE EXPANSION OF ALUMINUM AND STEEL DEPENDS ON A COMBINATION OF SEVERAL FACTORS: THE LENGTH AND WIDTH OF THE PANEL, THE THICKNESS OF THE MATERIAL, ITS COLOR, THE LEVEL OF SUN EXPOSURE, THE TEMPERATURE DURING INSTALLATION. PROVIDE SUFFICIENT EXPANSION SPACE ACCORDING TO THESE FACTORS (SEE EXPANSION FACTOR TABLE).

THE PANEL IS INSTALLED FROM THE BOTTOM UP.

HORIZONTAL INSTALLATION OPEN FRAMING

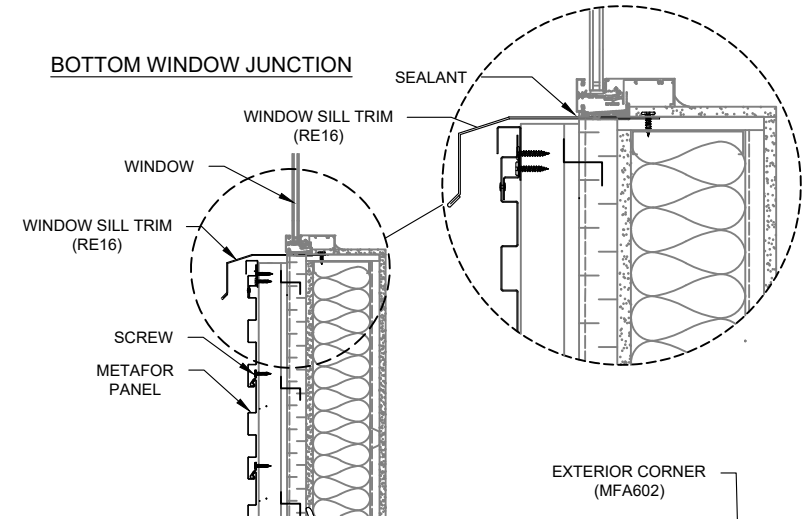
WALL STRUCTURE



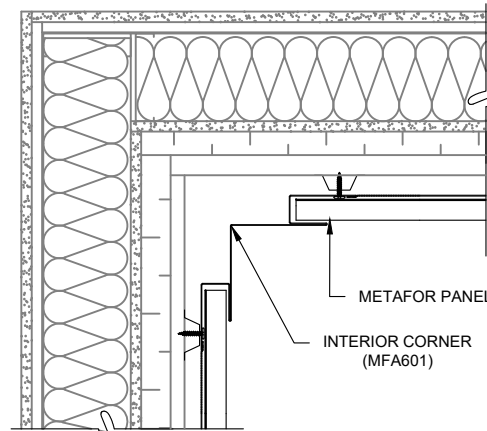
EXTERIOR WALL

- METAFOR ALUMINIUM PANEL
- DIELECTRIC TAPE
- VERTICAL METAL SUBGIRT
- HORIZONTAL Z BARS
- INSULATION PANEL
- AIR BARRIER MEMBRANE
- EXTERIOR GYPSE
- METAL STUD
- MINERAL FIBER INSULATION
- VAPOR BARRIER MEMBRANE
- HORIZONTAL METAL SUBGIRT
- GYPSE PANEL

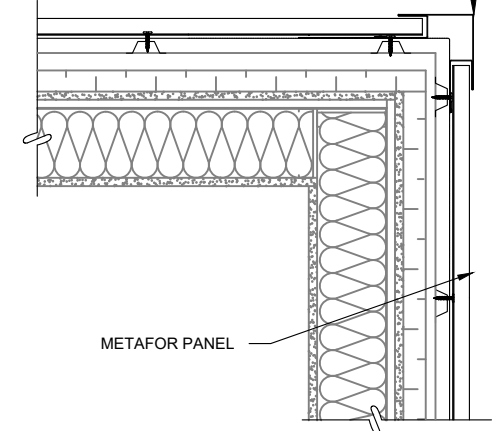
BOTTOM WINDOW JUNCTION



METAFOR INTERIOR CORNER DETAIL



METAFOR EXTERIOR CORNER DETAIL

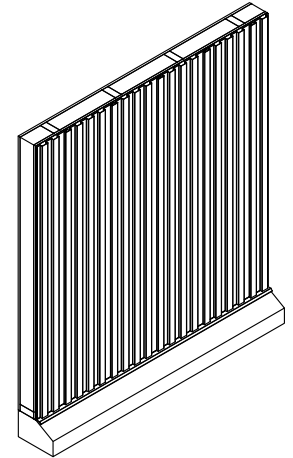
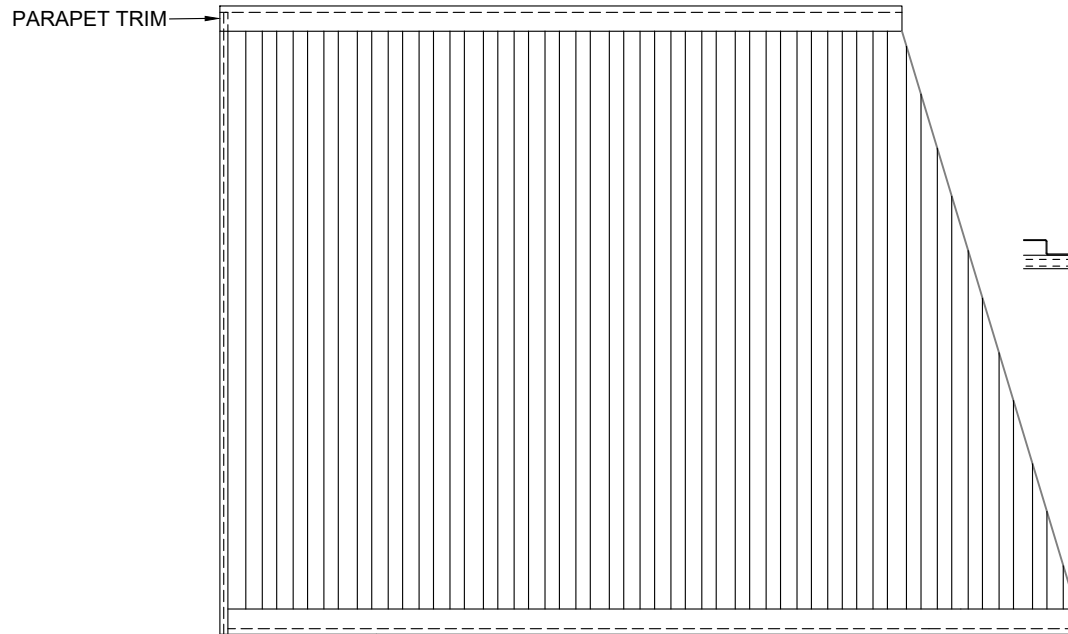


NOTES :

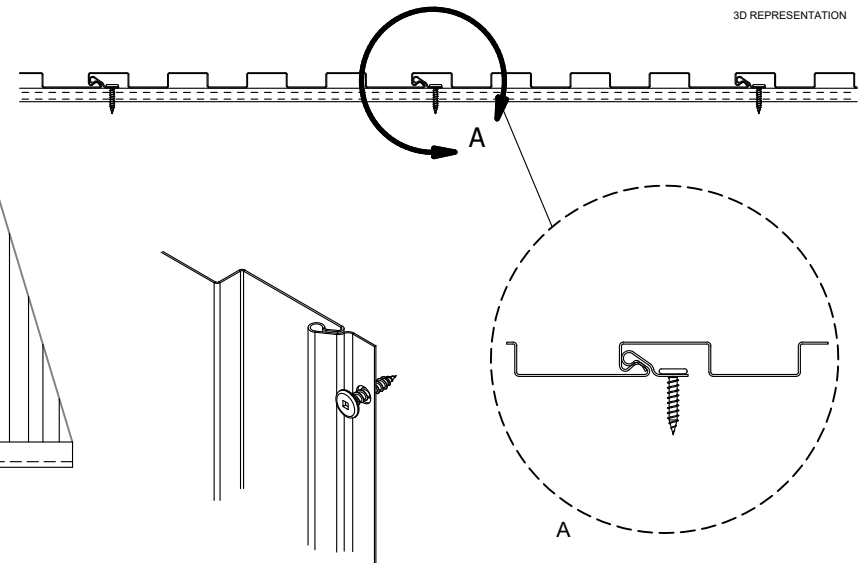
- PROVIDE A THERMAL EXPANSION SPACE AT THE BOTTOM OF THE PANEL (SEE EXPANSION FACTOR TABLE)
- WALL CUT FOR INFORMATION ONLY

VERTICAL INSTALLATION
SOLID SUBSTRATE

ELEVATION



3D REPRESENTATION



NOTES :

THE EXPANSION OF ALUMINUM AND STEEL DEPENDS ON A COMBINATION OF SEVERAL FACTORS: THE LENGTH AND WIDTH OF THE PANEL, THE THICKNESS OF THE MATERIAL, ITS COLOR, THE LEVEL OF SUN EXPOSURE, THE TEMPERATURE DURING INSTALLATION. PROVIDE SUFFICIENT EXPANSION SPACE ACCORDING TO THESE FACTORS (SEE EXPANSION FACTOR TABLE).

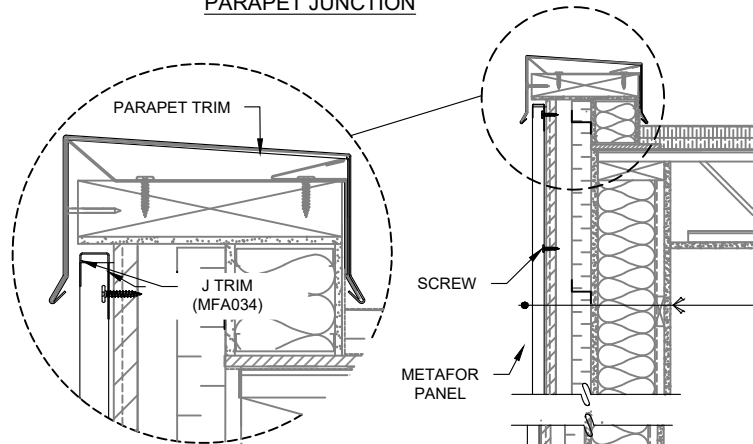
THE PANEL IS INSTALLED FROM LEFT TO RIGHT.

METAFOR MFP120

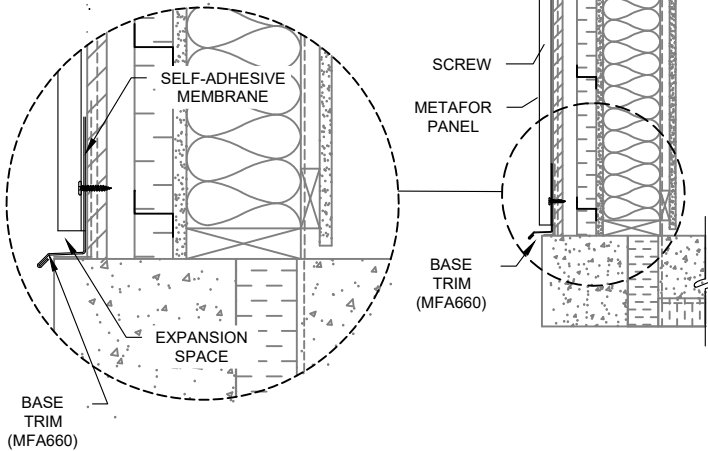
VERTICAL INSTALLATION SOLID SUBSTRATE

WALL STRUCTURE

PARAPET JUNCTION



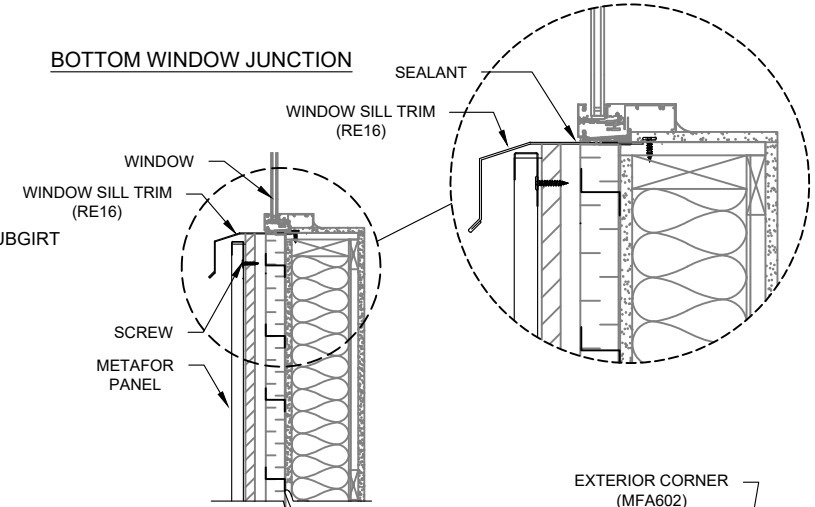
BASE WALL JUNCTION



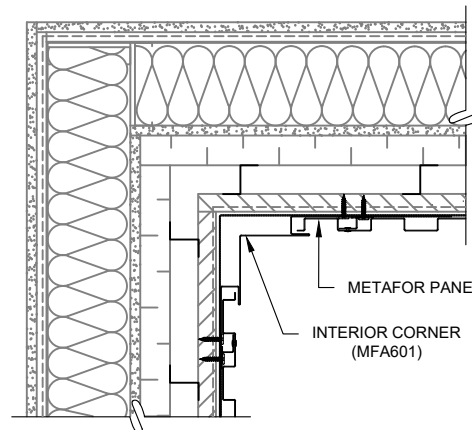
EXTERIOR WALL

- METAFOR ALUMINIUM PANEL
- SELF-ADHESIVE MEMBRANE
- 5/8" PLYWOOD SHEATING
- VERTICAL Z BARS OR METAL SUBGIRT
- INSULATION PANEL
- AIR BARRIER MEMBRANE
- EXTERIOR GYPSE
- WOOD STUD
- MINERAL FIBER ISULATION
- VAPOR BARRIER MEMBRANE
- HORIZONTAL WOOD BATTEN
- GYPSE PANEL

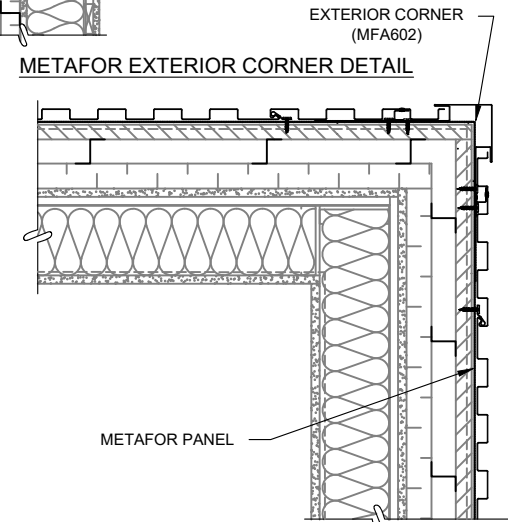
BOTTOM WINDOW JUNCTION



METAFOR INTERIOR CORNER DETAIL



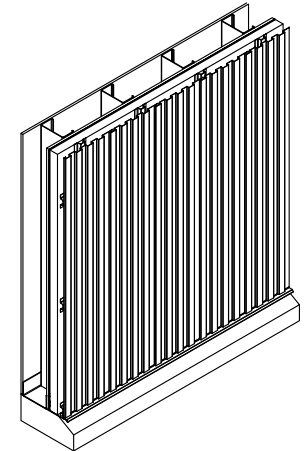
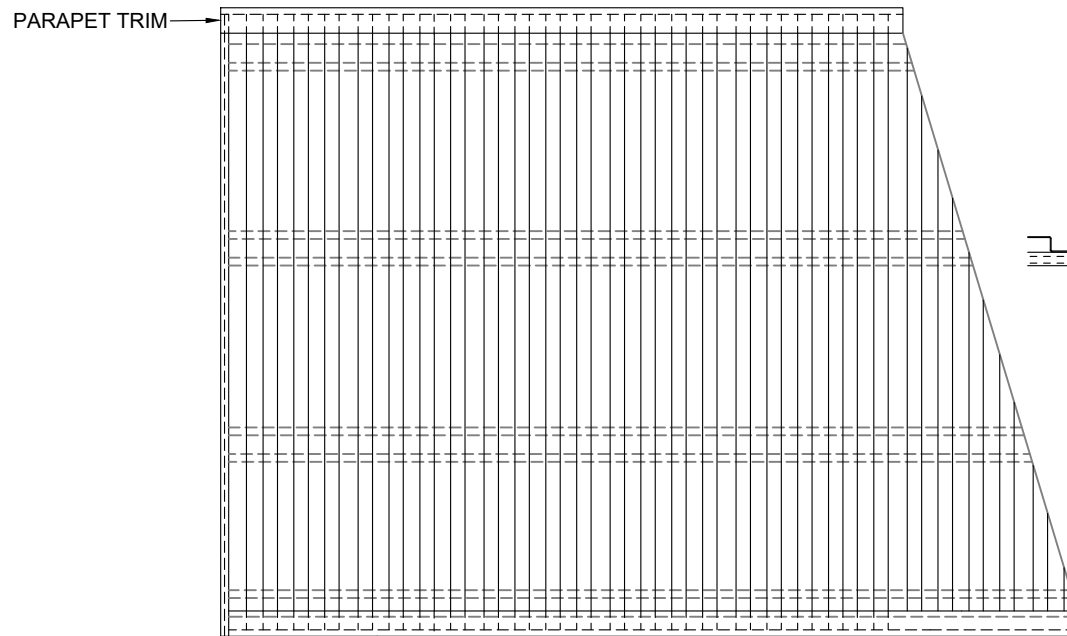
METAFOR EXTERIOR CORNER DETAIL



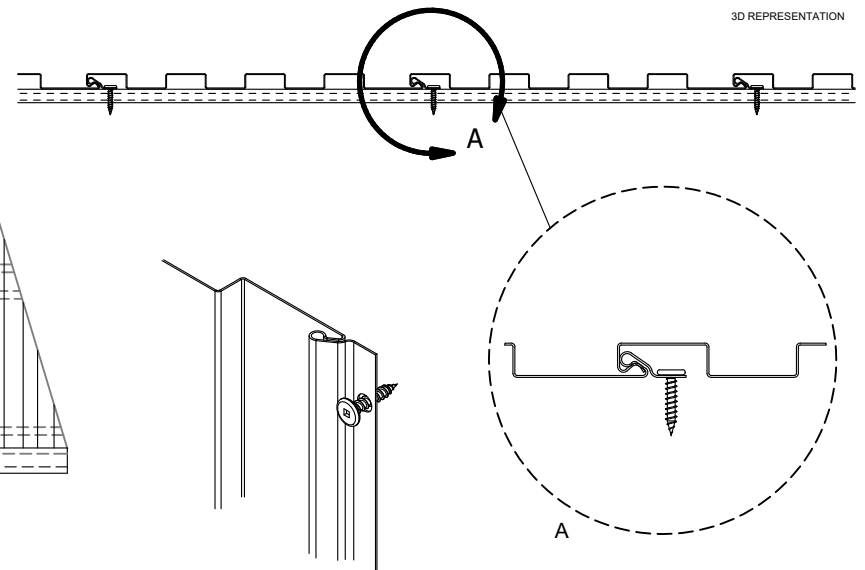
NOTES :
 PROVIDE A THERMAL EXPANSION SPACE AT THE BOTTOM OF THE PANEL
 (SEE EXPANSION FACTOR TABLE)
 WALL CUT FOR INFORMATION ONLY

VERTICAL INSTALLATION
OPEN FRAMING

ELEVATION



3D REPRESENTATION



NOTES :

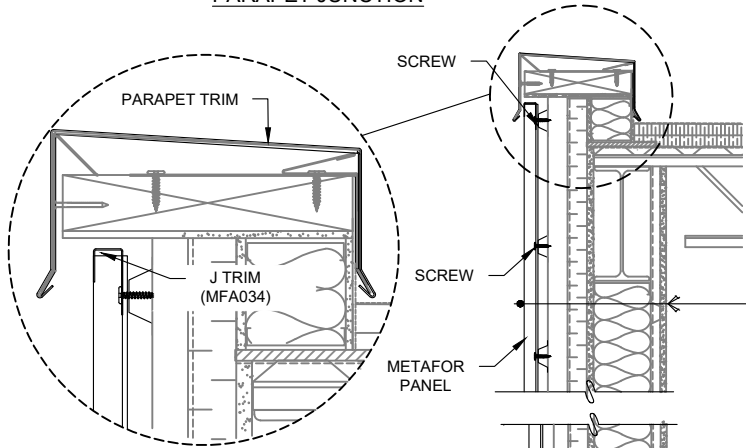
THE EXPANSION OF ALUMINUM AND STEEL DEPENDS ON A COMBINATION OF SEVERAL FACTORS: THE LENGTH AND WIDTH OF THE PANEL, THE THICKNESS OF THE MATERIAL, ITS COLOR, THE LEVEL OF SUN EXPOSURE, THE TEMPERATURE DURING INSTALLATION. PROVIDE SUFFICIENT EXPANSION SPACE ACCORDING TO THESE FACTORS (SEE EXPANSION FACTOR TABLE).

THE PANEL IS INSTALLED FROM LEFT TO RIGHT.

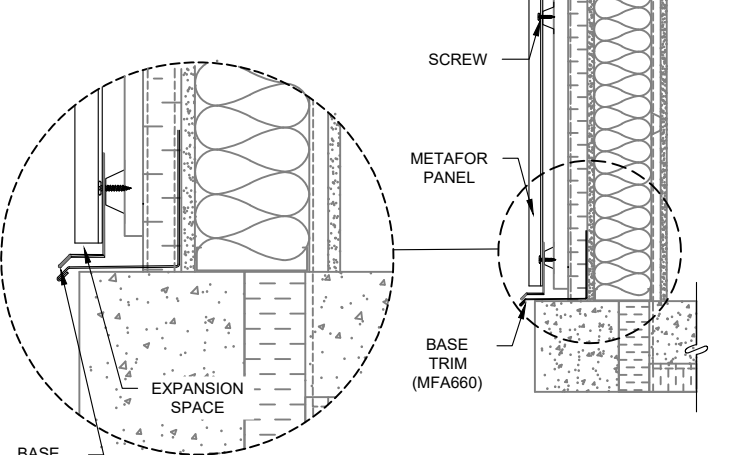
VERTICAL INSTALLATION OPEN FRAMING

WALL STRUCTURE

PARAPET JUNCTION



BASE WALL JUNCTION

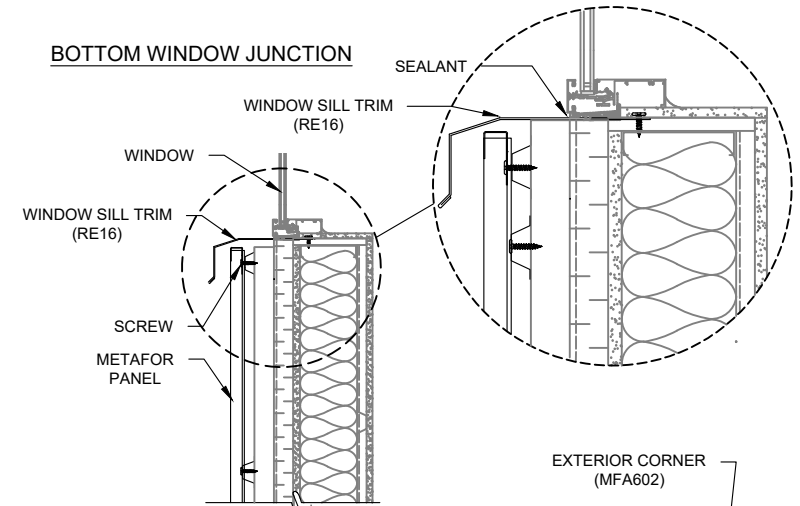


BASE TRIM (MFA660)

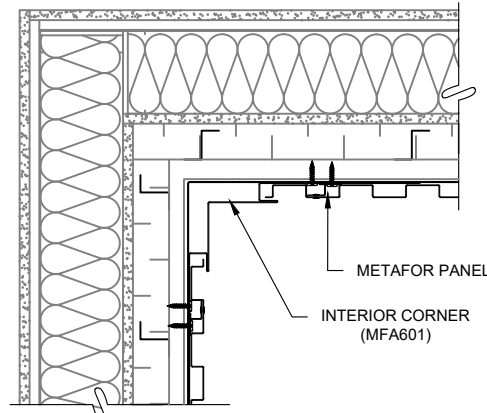
EXTERIOR WALL

- METAFOR ALUMINIUM PANEL
- DIELECTRIC TAPE
- VERTICAL METAL SUBGIRT
- HORIZONTAL Z BARS
- INSULATION PANEL
- AIR BARRIER MEMBRANE
- EXTERIOR GYPSE
- METAL STUD
- MINERAL FIBER INSULATION
- VAPOR BARRIER MEMBRANE
- HORIZONTAL METAL SUBGIRT
- GYPSE PANEL

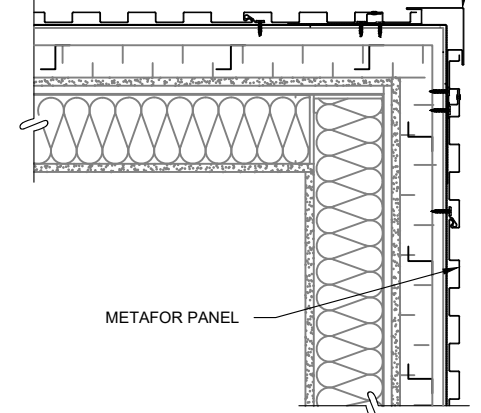
BOTTOM WINDOW JUNCTION



METAFOR INTERIOR CORNER DETAIL



METAFOR EXTERIOR CORNER DETAIL

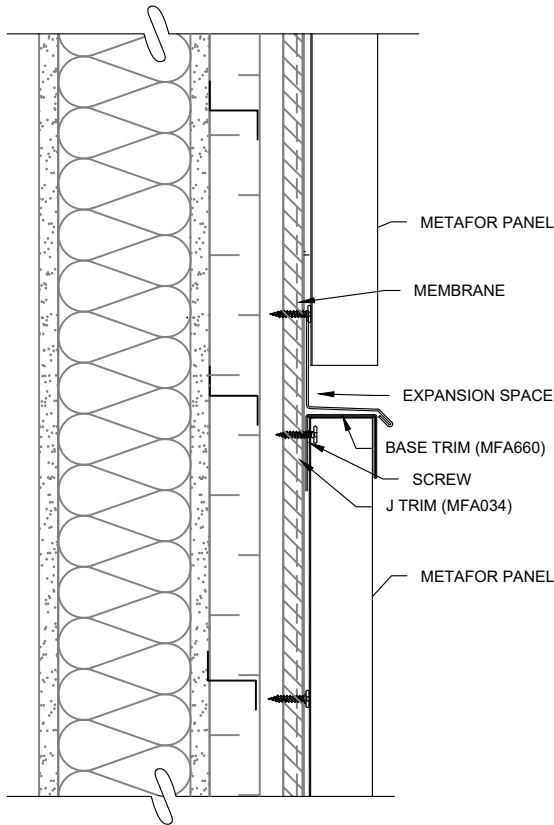


NOTES :

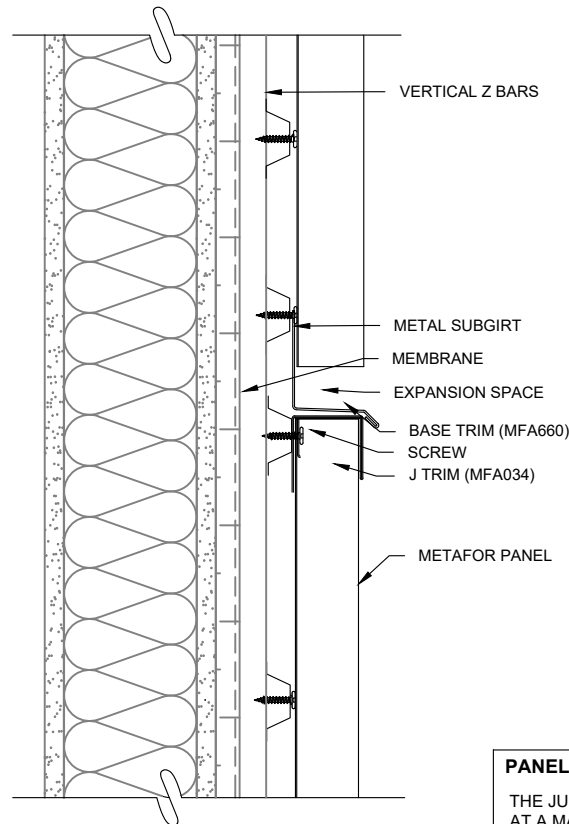
- PROVIDE A THERMAL EXPANSION SPACE AT THE BOTTOM OF THE PANEL (SEE EXPANSION FACTOR TABLE)
- WALL CUT FOR INFORMATION ONLY

PANEL INSTALLATION - SPECIFIC DETAILS

HORIZONTAL TRANSITION INSTALLATION
SOLID SUBSTRATE - PANEL INSTALLED
VERTICALLY

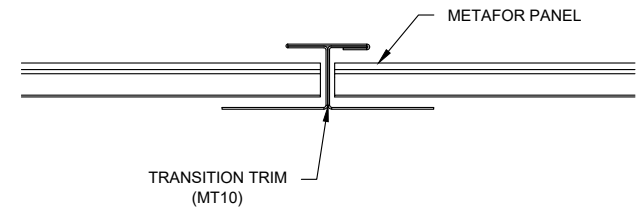


HORIZONTAL TRANSITION INSTALLATION
OPEN FRAMING - PANEL INSTALLED
VERTICALLY

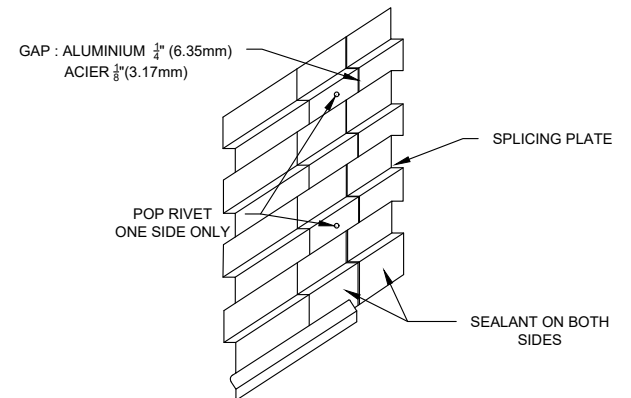


VERTICAL TRANSITION INSTALLATION -
PANEL INSTALLED HORIZONTALLY

OPTION 1 : TRANSITION TRIM
 PLAN VIEW



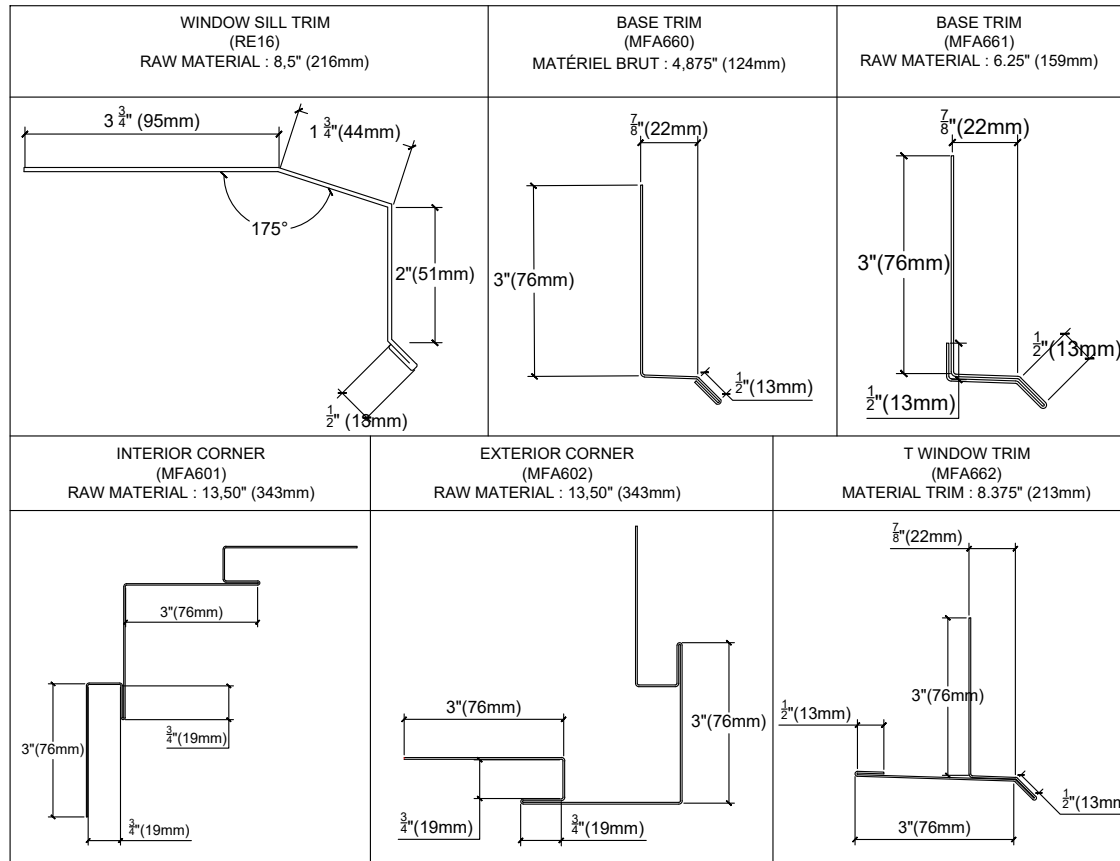
OPTION 2 : SPLICING PLATE



PANEL SPLICE NOTE :

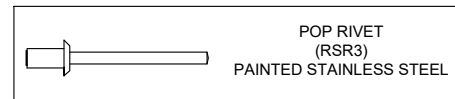
THE JUNCTION SPLICE IS APPLICABLE ONLY ON HORIZONTAL INSTALLATION AT A MAXIMUM PANEL LENGTH OF 21 FEET.

TRIMS AND ACCESSORIES

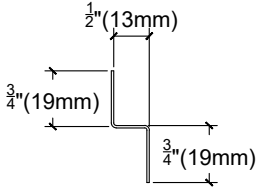
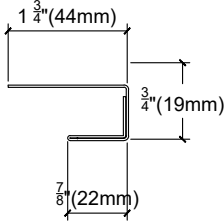
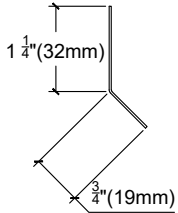
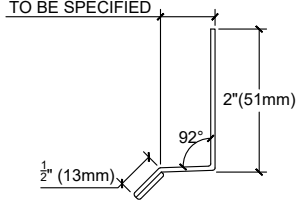
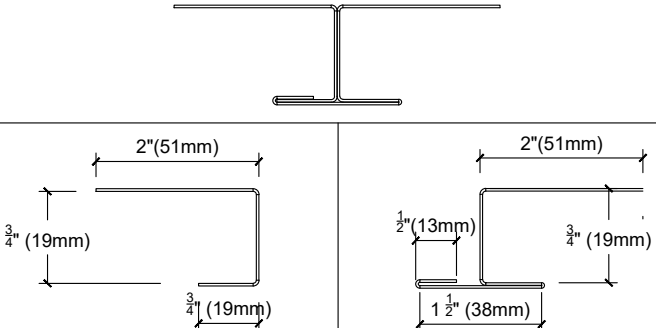


NOTE FOR TRIMS :

- THE EXPANSION OF ALUMINUM AND STEEL DEPENDS ON A COMBINATION OF SEVERAL FACTORS: THE LENGTH AND WIDTH OF THE PANEL, THE THICKNESS OF THE MATERIAL, ITS COLOR, THE LEVEL OF SUN EXPOSURE, THE TEMPERATURE DURING INSTALLATION. PROVIDE SUFFICIENT EXPANSION SPACE ACCORDING TO THESE FACTORS (SEE EXPANSION FACTOR TABLE).



TRIMS AND ACCESSORIES

<p>Z TRIM (MFA681) RAW MATERIAL : 2.0" (51mm)</p>	<p>J TRIM (MFA034) RAW MATERIAL : 5.0" (127mm)</p>	<p>STARTER CLEAT (MFA995) RAW MATERIAL : 2.0"(51mm)</p>
		
<p>BASE TRIM (RE32)</p>	<p>TRANSITION TRIM (MT10) RAW MATERIAL : 8" (203mm)</p>	
<p>TO BE SPECIFIED</p> 		

NOTE FOR TRIMS :

- THE EXPANSION OF ALUMINUM AND STEEL DEPENDS ON A COMBINATION OF SEVERAL FACTORS: THE LENGTH AND WIDTH OF THE PANEL, THE THICKNESS OF THE MATERIAL, ITS COLOR, THE LEVEL OF SUN EXPOSURE, THE TEMPERATURE DURING INSTALLATION. PROVIDE SUFFICIENT EXPANSION SPACE ACCORDING TO THESE FACTORS (SEE EXPANSION FACTOR TABLE).

