

SPECIFICATIONS	
APPLICATION	WALL
PANEL COVERING	16 $\frac{5}{8}$ " (422mm)
PANEL DEPTH	$\frac{7}{8}$ " (22mm)
MINIMUM LENGTH	72" (1.8m)
MAXIMUM LENGTH RECOMMENDED	22' (6.8m)

AVAILABLE	
MATERIALS	
ALUMINIUM	0.032", 0.040", 0.050" (0.8mm, 1.0mm, 1.25mm)
PAINTED STEEL	24 GA.

EXPANSION FACTORS FOR SPACING	
PANEL LENGTH 22' (6.8m)	
STEEL	$\frac{5}{8}$ " (8mm) min.
ALUMINIUM	$\frac{11}{16}$ " (17mm) min.

INSTALLATION DETAILS

PAGE 2-3  **HORIZONTAL APPLICATION • SOLID SUBSTRATE**

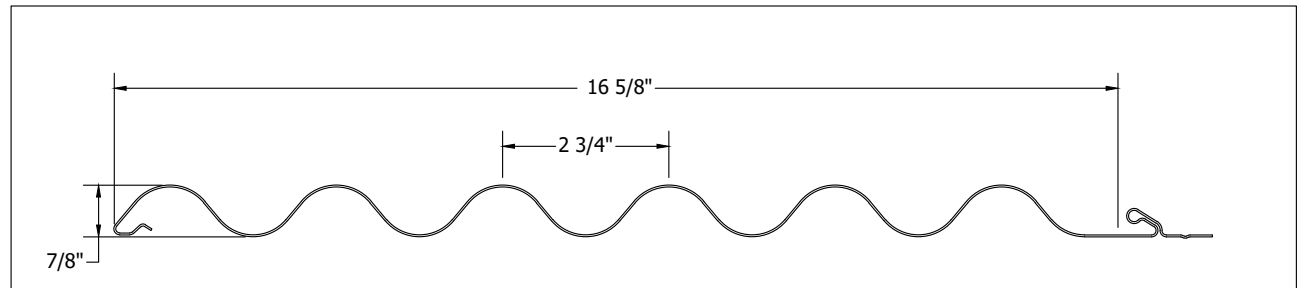
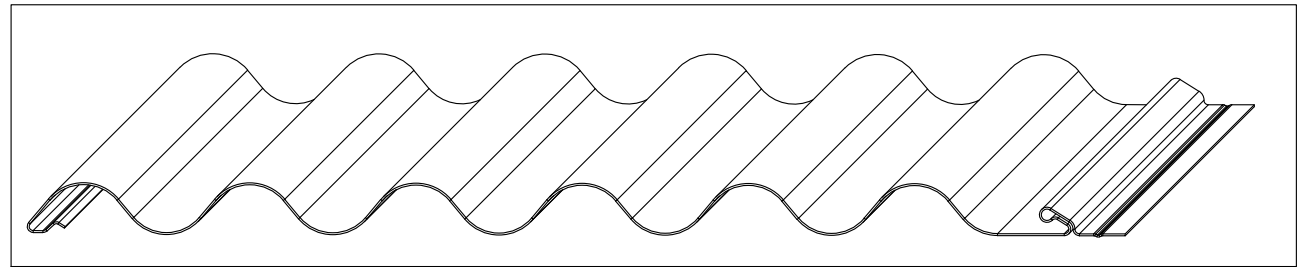
PAGE 4-5  **HORIZONTAL APPLICATION • OPEN FRAMING**

PAGE 6-7  **VERTICAL APPLICATION • SOLID SUBSTRATE**

PAGE 8-9  **VERTICAL APPLICATION • OPEN FRAMING**

PAGE 10 **PANEL INSTALLATION - SPECIFIC DETAILS**

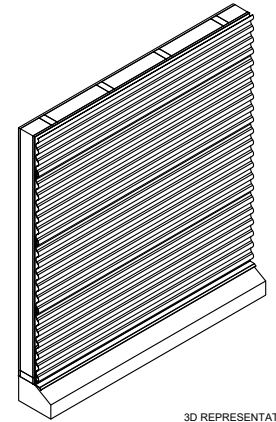
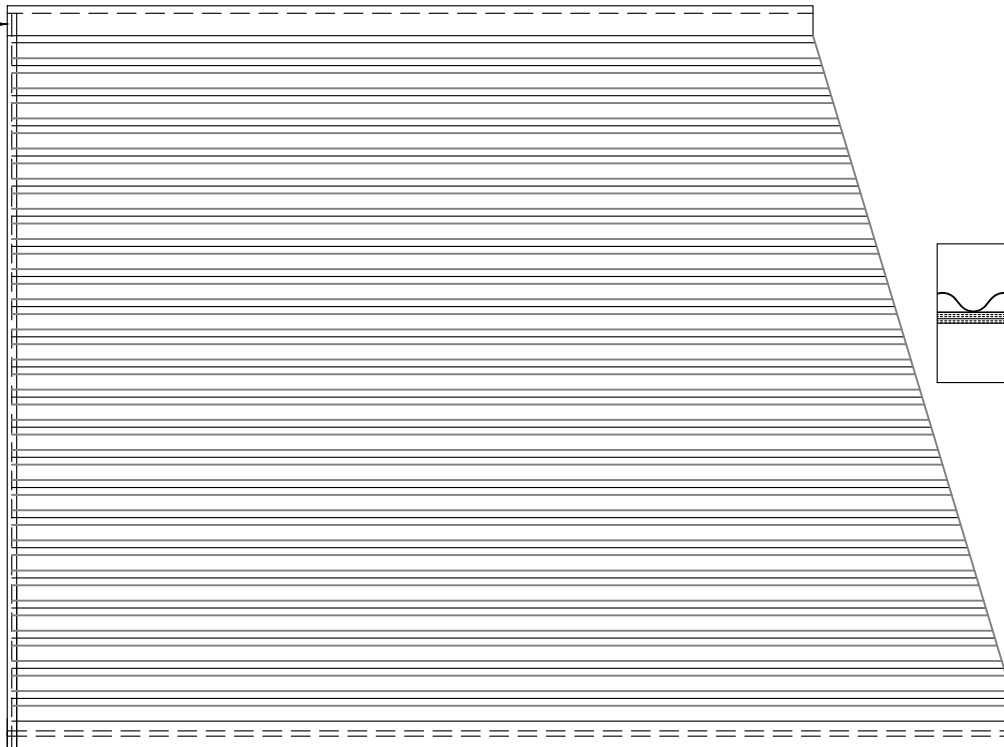
PAGE 11 **TRIMS AND ACCESSORIES**



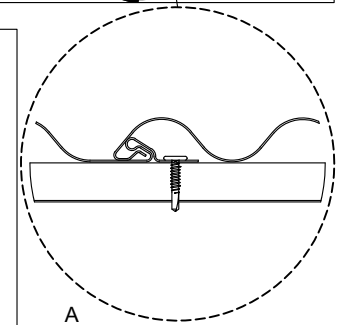
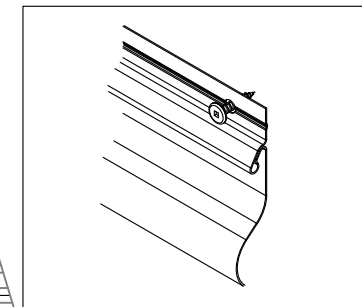
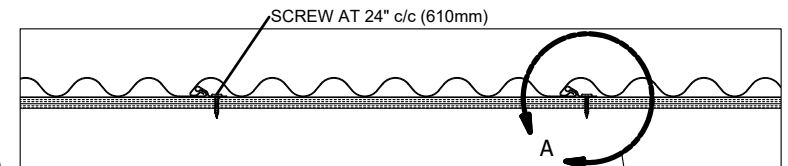
HORIZONTAL INSTALLATION  
SOLID SUBSTRATE

ELEVATION

PARAPET TRIM →



3D REPRESENTATION



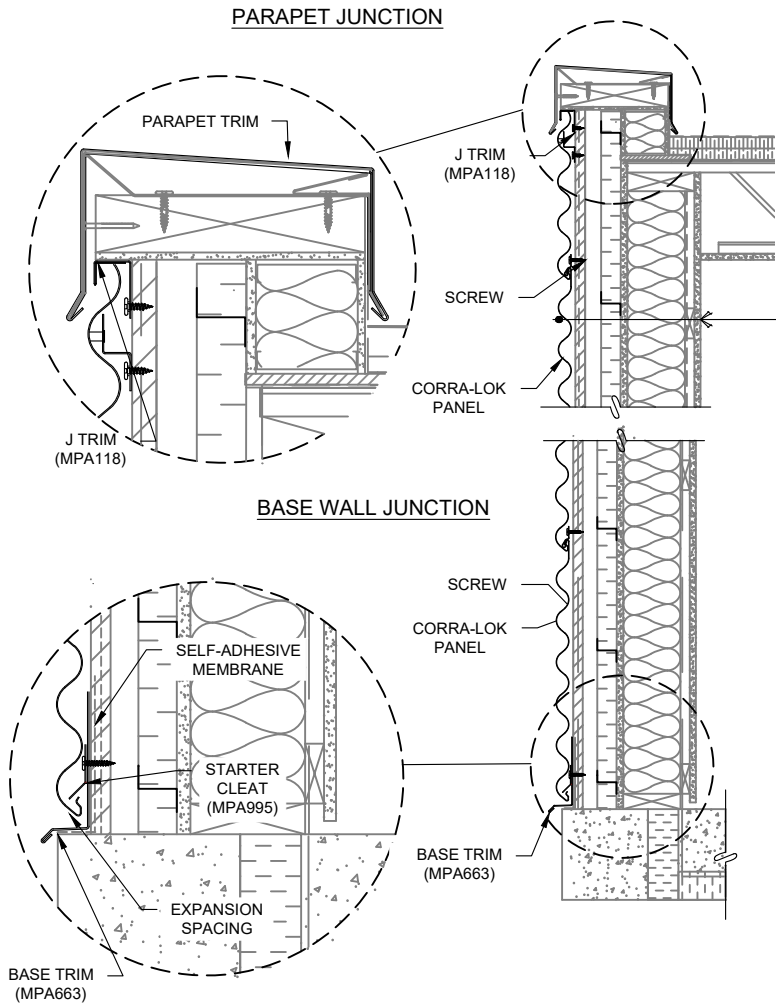
**NOTES :**

THE EXPANSION OF ALUMINUM AND STEEL DEPENDS ON A COMBINATION OF SEVERAL FACTORS: THE LENGTH AND WIDTH OF THE PANEL, THE THICKNESS OF THE MATERIAL, ITS COLOR, THE LEVEL OF SUN EXPOSURE, THE TEMPERATURE DURING INSTALLATION. PROVIDE SUFFICIENT EXPANSION SPACE ACCORDING TO THESE FACTORS (SEE EXPANSION FACTOR TABLE).

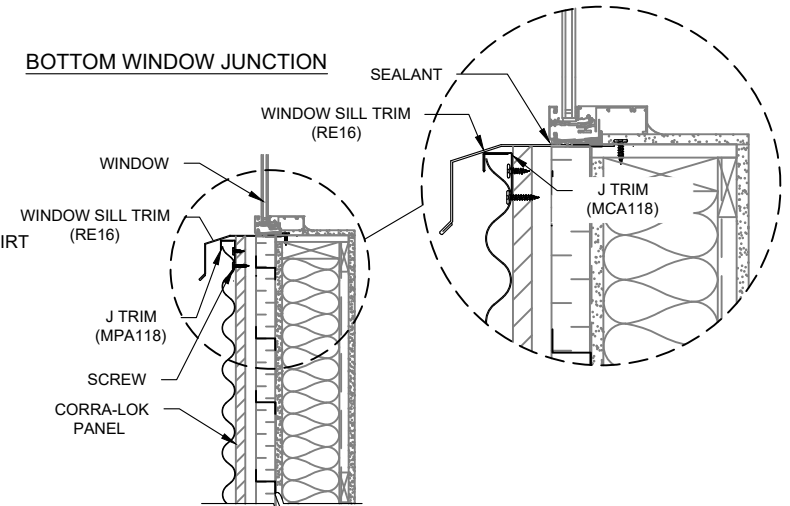
THE PANEL IS INSTALLED FROM THE BOTTOM UP.

### HORIZONTAL INSTALLATION SOLID SUBSTRATE

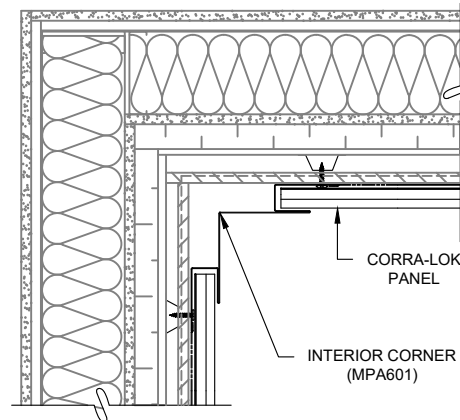
#### WALL STRUCTURE



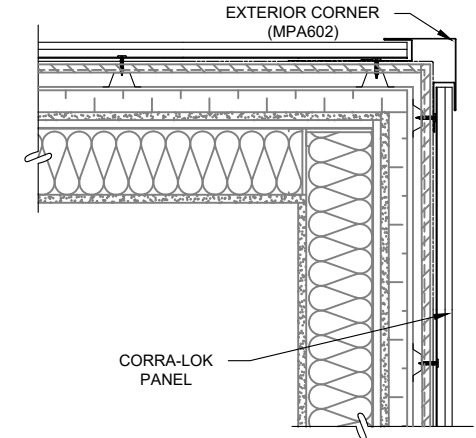
#### BOTTOM WINDOW JUNCTION



#### CORRA-LOK INTERIOR CORNER DETAIL



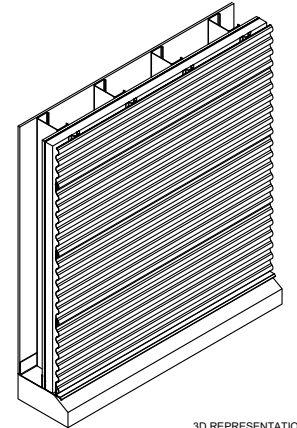
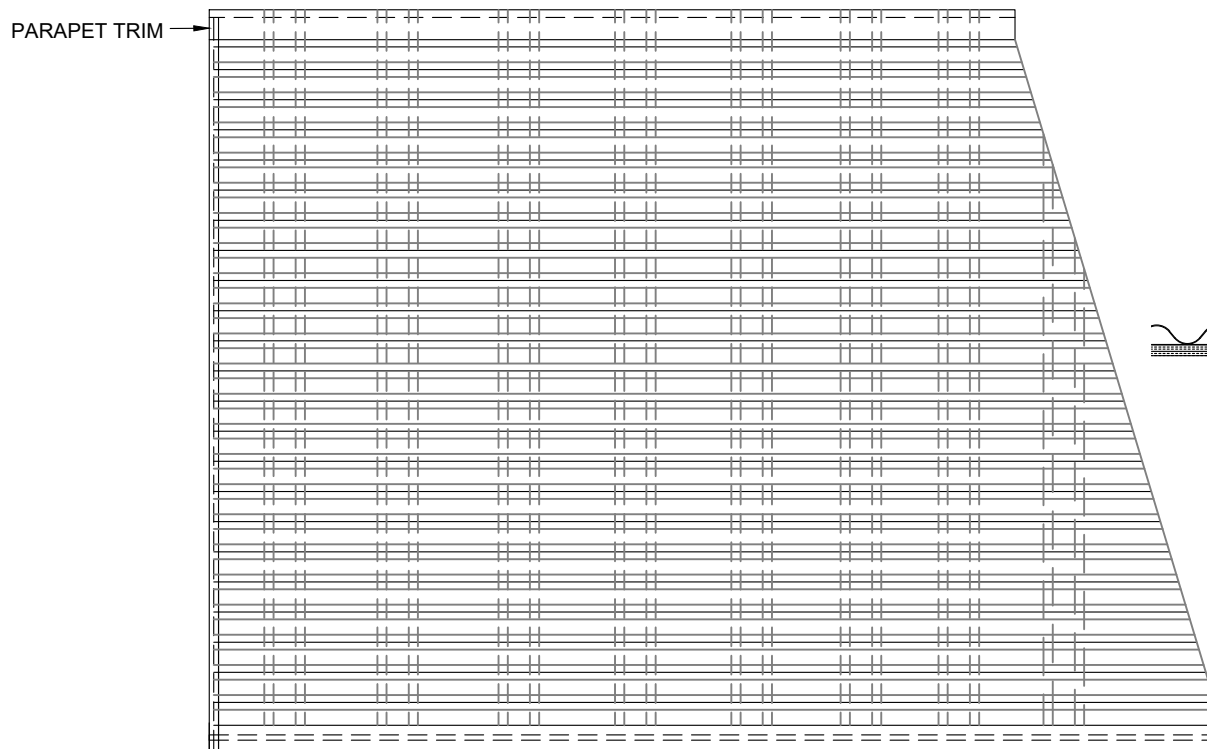
#### CORRA-LOK EXTERIOR CORNER DETAIL



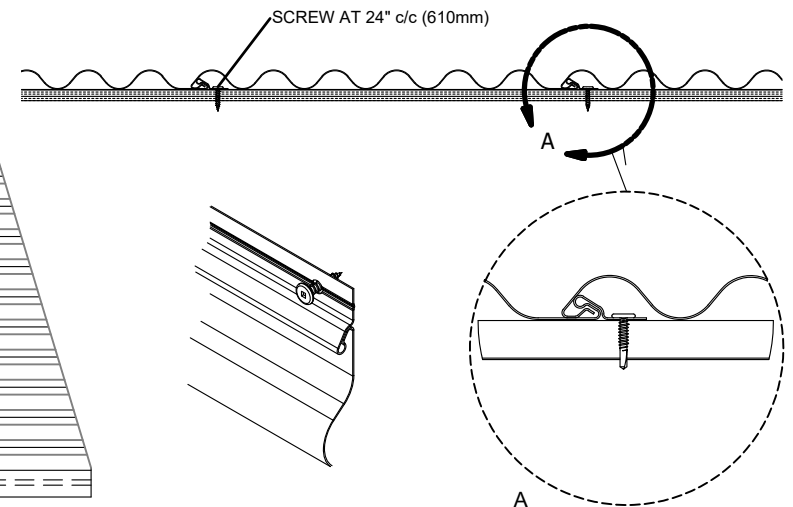
**NOTES :**  
 PROVIDE A THERMAL EXPANSION SPACE AT THE BOTTOM OF THE PANEL  
 (SEE EXPANSION FACTOR TABLE)  
 WALL CUT FOR INFORMATION ONLY

HORIZONTAL INSTALLATION  
OPEN FRAMING

ELEVATION



3D REPRESENTATION

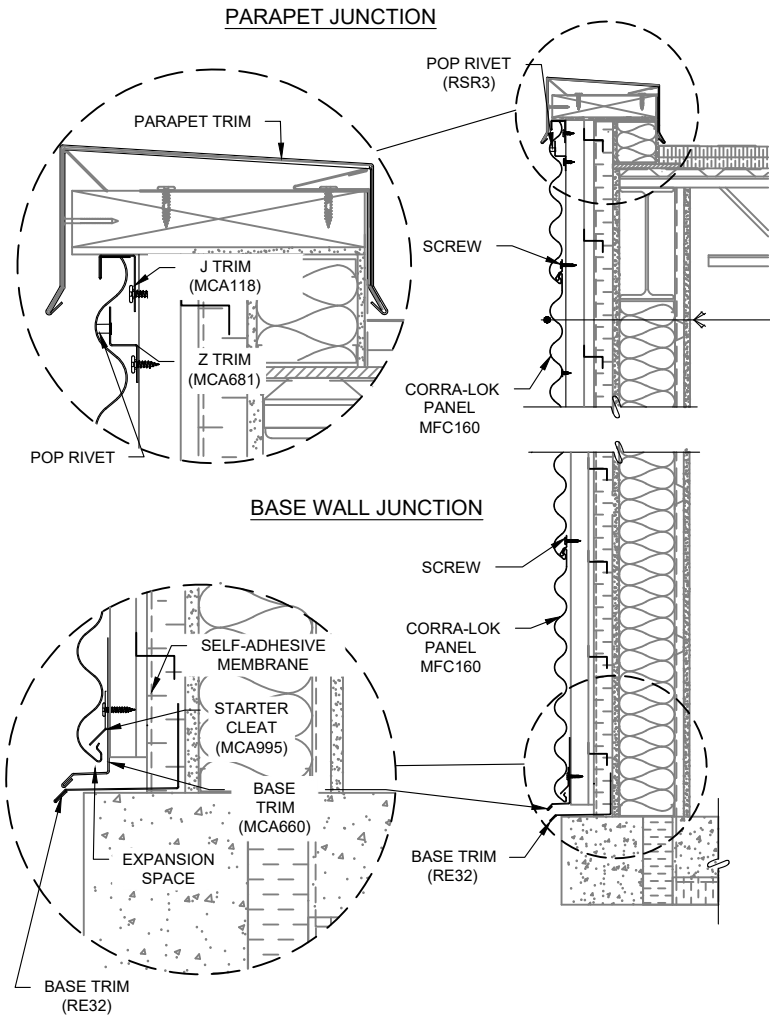


**NOTES :**

- THE EXPANSION OF ALUMINUM AND STEEL DEPENDS ON A COMBINATION OF SEVERAL FACTORS: THE LENGTH AND WIDTH OF THE PANEL, THE THICKNESS OF THE MATERIAL, ITS COLOR, THE LEVEL OF SUN EXPOSURE, THE TEMPERATURE DURING INSTALLATION. PROVIDE SUFFICIENT EXPANSION SPACE ACCORDING TO THESE FACTORS (SEE EXPANSION FACTOR TABLE).
- THE PANEL IS INSTALLED FROM THE BOTTOM UP.
- METAL SUBGIRT INSTALLATION AT 24" C/C. (610MM) (IF THE SPACING IS DIFFERENT, REFER TO THE TABLE OF CHARGES)

### HORIZONTAL INSTALLATION OPEN FRAMING

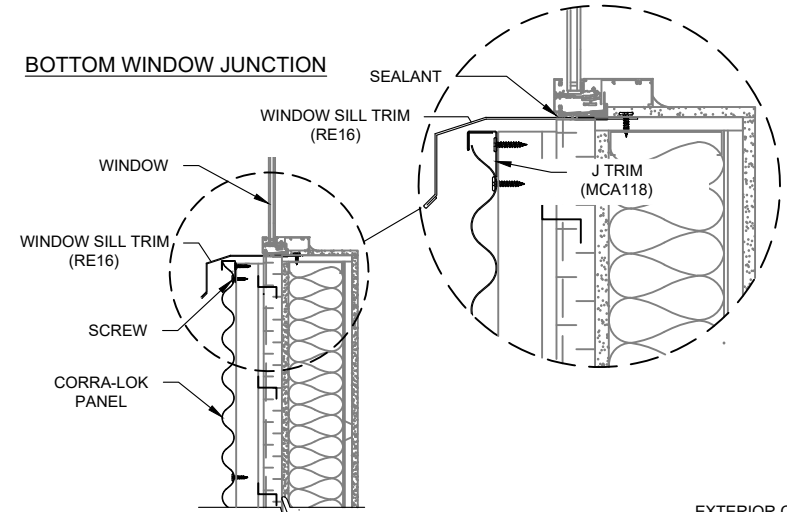
#### WALL STRUCTURE



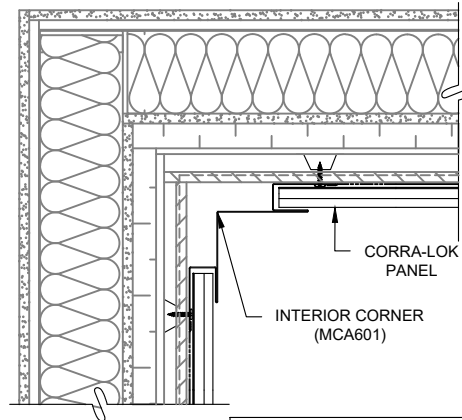
#### EXTERIOR WALL

- CORRA-LOK METAL PANEL
- VERTICAL METAL SUBGIRT
- HORIZONTAL Z BARS
- INSULATION PANEL
- AIR BARRIER MEMBRANE
- EXTERIOR GYPSE PANEL
- METAL STUD
- MINERAL FIBER INSULATION
- VAPOR BARRIER MEMBRANE
- HORIZONTAL METAL SUBGIRT
- GYPSE PANEL

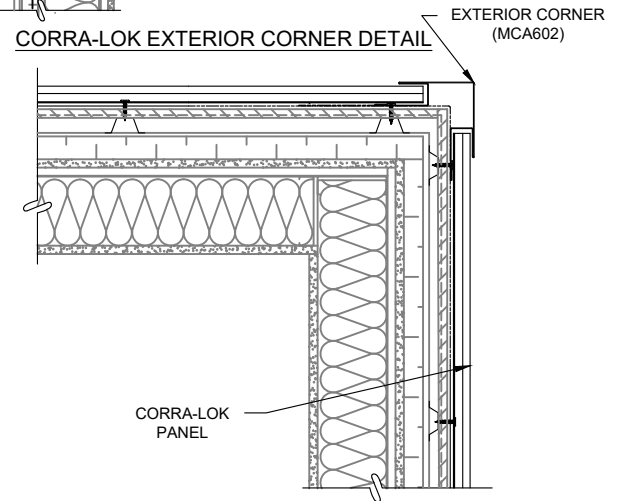
#### BOTTOM WINDOW JUNCTION



#### CORRA-LOK INTERIOR CORNER DETAIL



#### CORRA-LOK EXTERIOR CORNER DETAIL

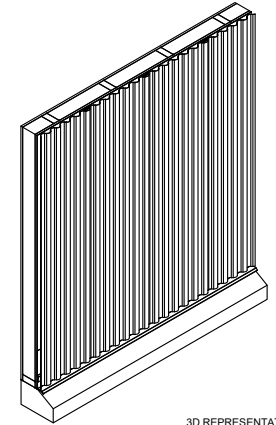
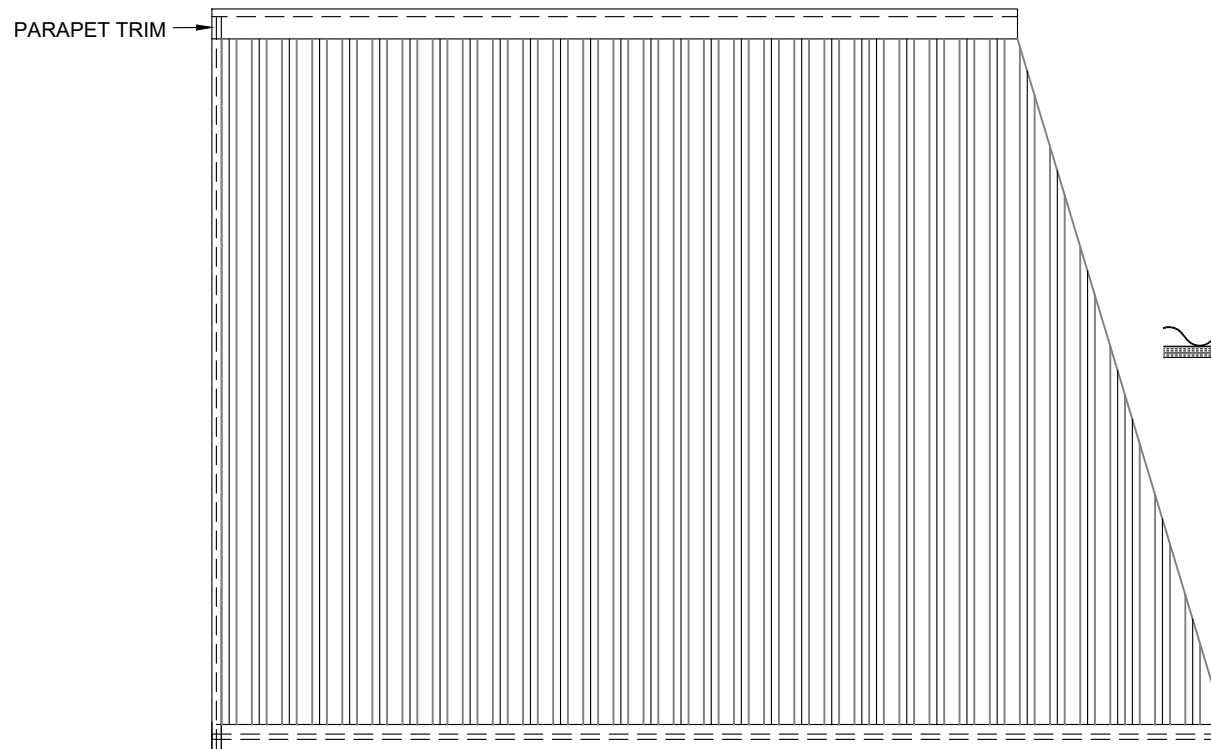


#### NOTES :

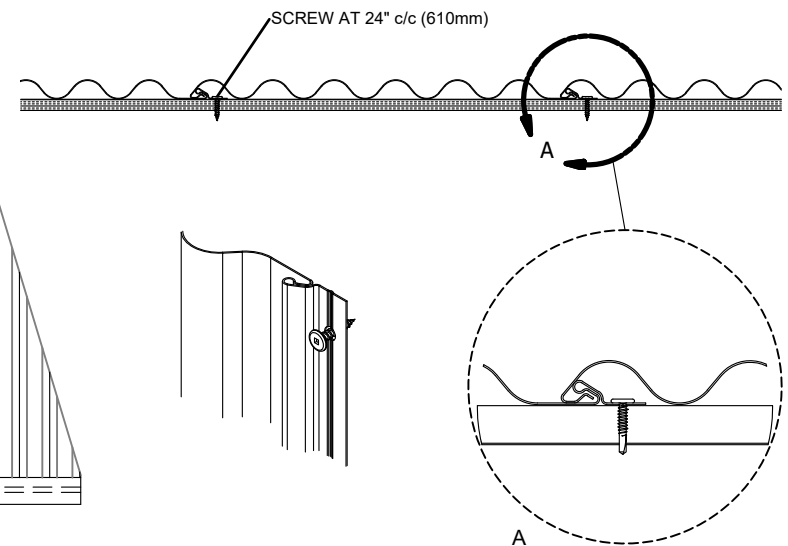
- PROVIDE A THERMAL EXPANSION SPACE AT THE BOTTOM OF THE PANEL (SEE EXPANSION FACTOR TABLE)
- WALL CUT FOR INFORMATION ONLY

VERTICAL INSTALLATION  
SOLID SUBSTRATE

ELEVATION



3D REPRESENTATION



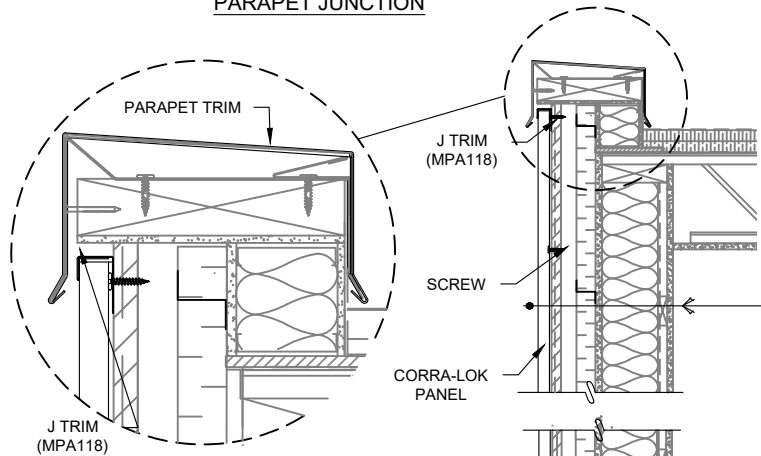
NOTES :

- THE EXPANSION OF ALUMINUM AND STEEL DEPENDS ON A COMBINATION OF SEVERAL FACTORS: THE LENGTH AND WIDTH OF THE PANEL, THE THICKNESS OF THE MATERIAL, ITS COLOR, THE LEVEL OF SUN EXPOSURE, THE TEMPERATURE DURING INSTALLATION. PROVIDE SUFFICIENT EXPANSION SPACE ACCORDING TO THESE FACTORS (SEE EXPANSION FACTOR TABLE).
- THE PANEL IS INSTALLED FROM LEFT TO RIGHT

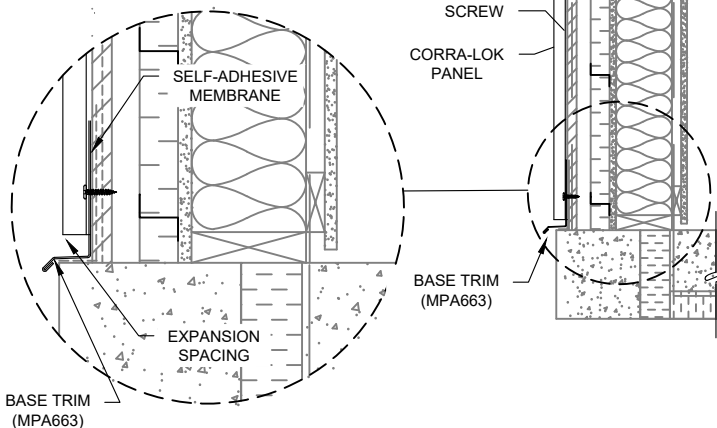
### VERTICAL INSTALLATION SOLID SUBSTRATE

#### WALL STRUCTURE

##### PARAPET JUNCTION



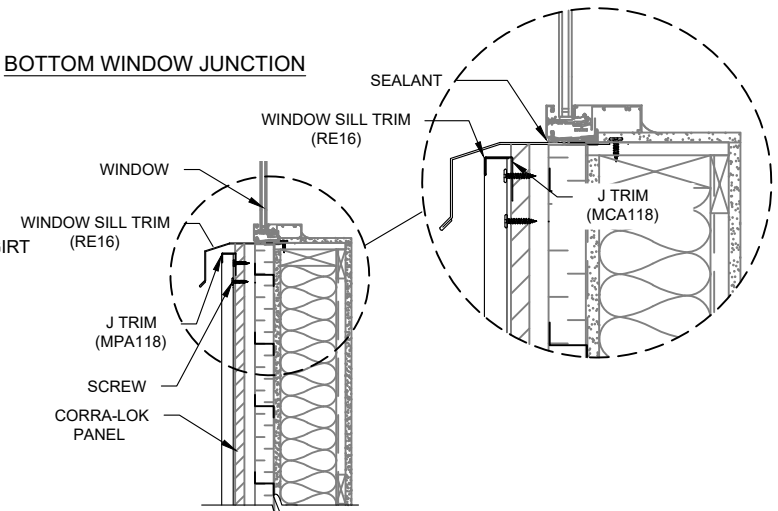
##### BASE WALL JUNCTION



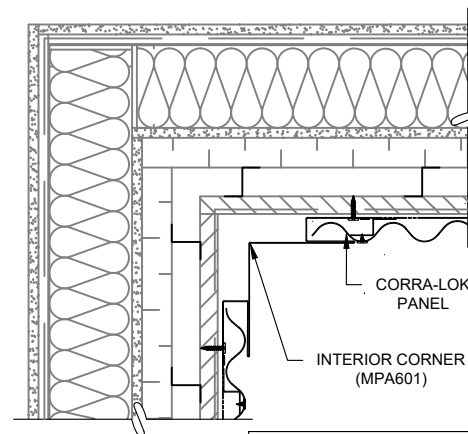
#### EXTERIOR WALL

- CORRA-LOK METAL PANEL
- SELF-ADHESIVE MEMBRANE
- 5/8" PLYWOOD SHEATHING
- VERTICAL Z BARS OR METAL SUBGIRT
- INSULATION PANEL
- AIR BARRIER MEMBRANE
- EXTERIOR GYPSE
- WOOD STUD
- MINERAL FIBER INSULATION
- VAPOR BARRIER MEMBRANE
- HORIZONTAL WOOD BATTEN
- GYPSE PANEL

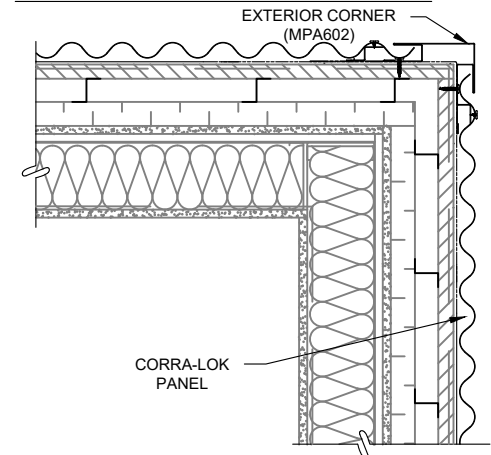
#### BOTTOM WINDOW JUNCTION



#### CORRA-LOK INTERIOR CORNER DETAIL



#### CORRA-LOK EXTERIOR CORNER DETAIL

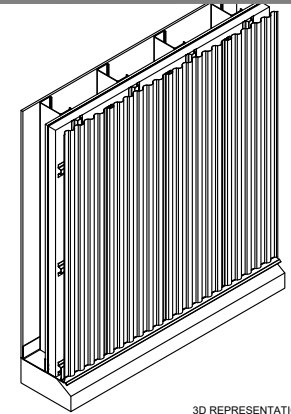
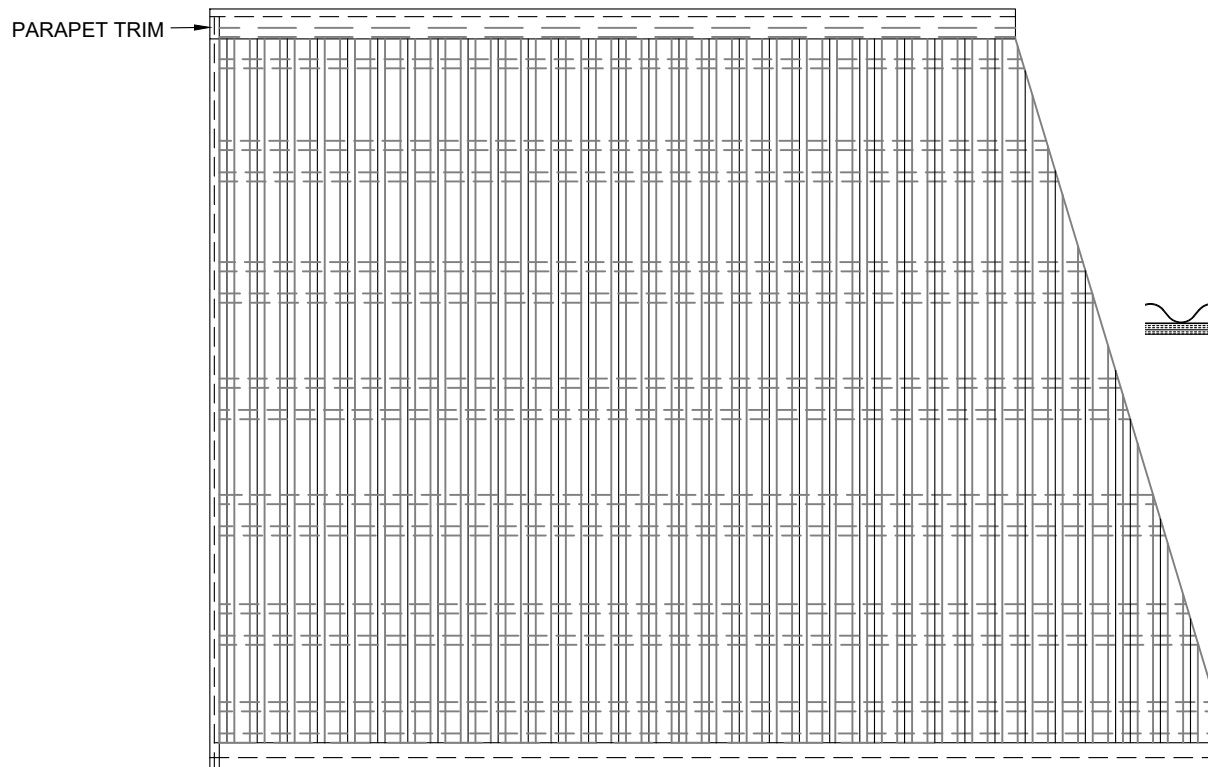


**NOTES :**  
 PROVIDE A THERMAL EXPANSION SPACE AT THE BOTTOM OF THE PANEL  
 (SEE EXPANSION FACTOR TABLE)  
 WALL CUT FOR INFORMATION ONLY

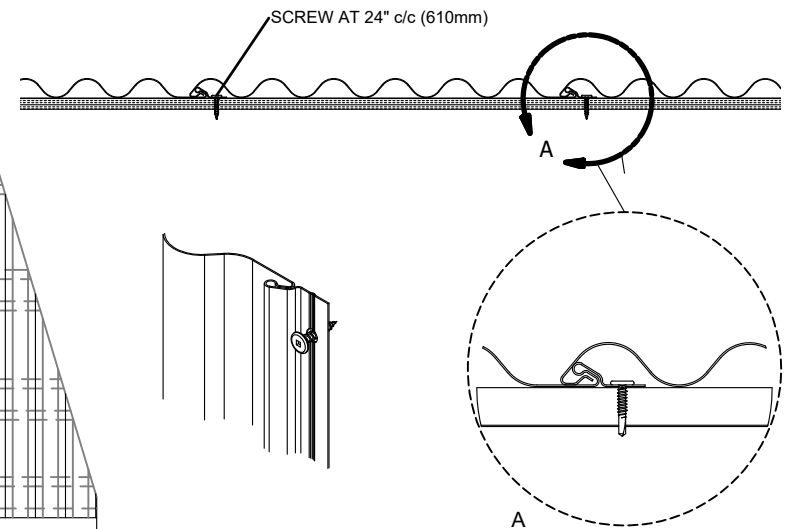
VERTICAL INSTALLATION

OPEN FRAMING

ELEVATION



3D REPRESENTATION



**NOTES :**

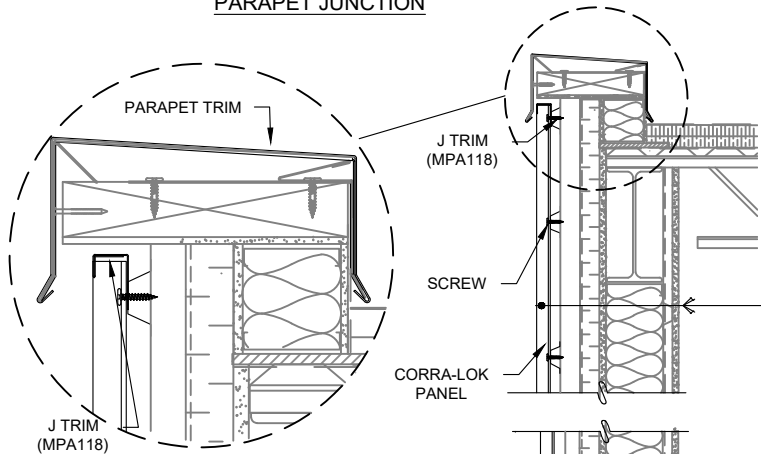
- THE EXPANSION OF ALUMINUM AND STEEL DEPENDS ON A COMBINATION OF SEVERAL FACTORS: THE LENGTH AND WIDTH OF THE PANEL, THE THICKNESS OF THE MATERIAL, ITS COLOR, THE LEVEL OF SUN EXPOSURE, THE TEMPERATURE DURING INSTALLATION. PROVIDE SUFFICIENT EXPANSION SPACE ACCORDING TO THESE FACTORS (SEE EXPANSION FACTOR TABLE).
- THE PANEL IS INSTALLED FROM LEFT TO RIGHT
- METAL SUBGIRT INSTALLATION AT 24" C/C. (610MM) (IF THE SPACING IS DIFFERENT, REFER TO THE TABLE OF CHARGES)



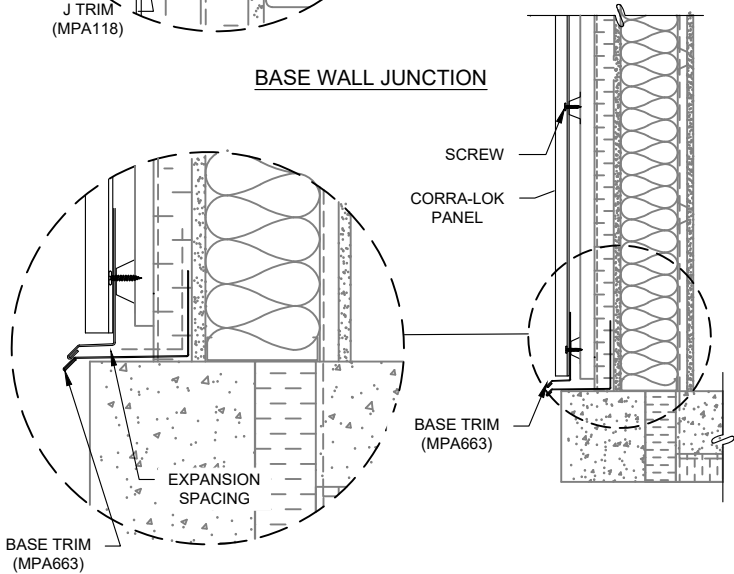
### VERTICAL INSTALLATION

#### OPEN FRAMING

#### WALL STRUCTURE PARAPET JUNCTION



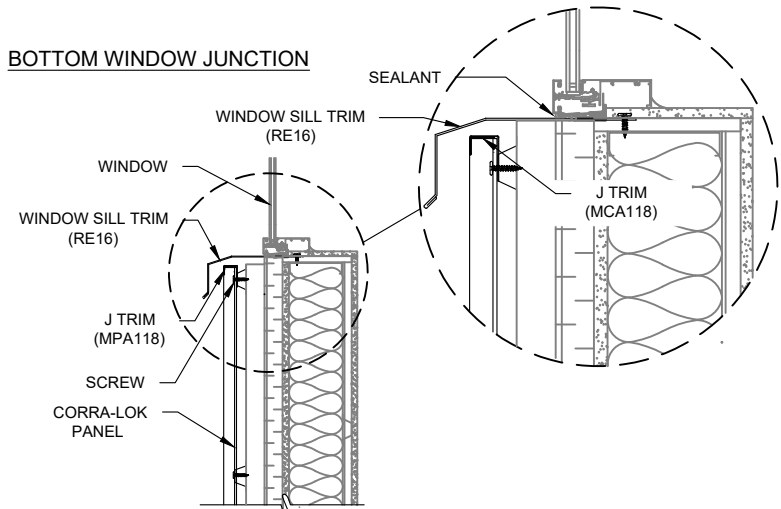
#### BASE WALL JUNCTION



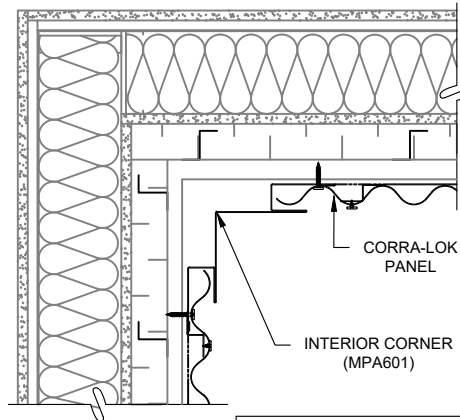
#### EXTERIOR WALL

- CORRA-LOK METAL PANEL
- HORIZONTAL METAL SUBGIRT
- VERTICAL Z BARS
- INSULATION PANEL
- AIR BARRIER MEMBRANE
- EXTERIOR GYPSE
- METAL STUD
- MINERAL FIBER INSULATION
- VAPOR BARRIER MEMBRANE
- HORIZONTAL METAL SUBGIRT
- GYPSE PANEL

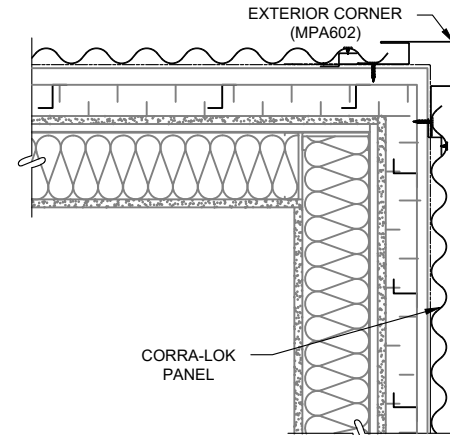
#### BOTTOM WINDOW JUNCTION



#### CORRA-LOK INTERIOR CORNER DETAIL



#### CORRA-LOK EXTERIOR CORNER DETAIL

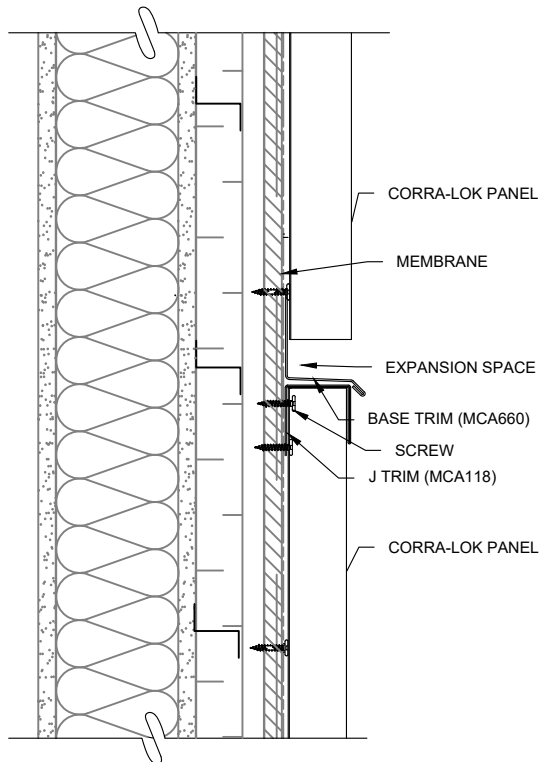


#### NOTES :

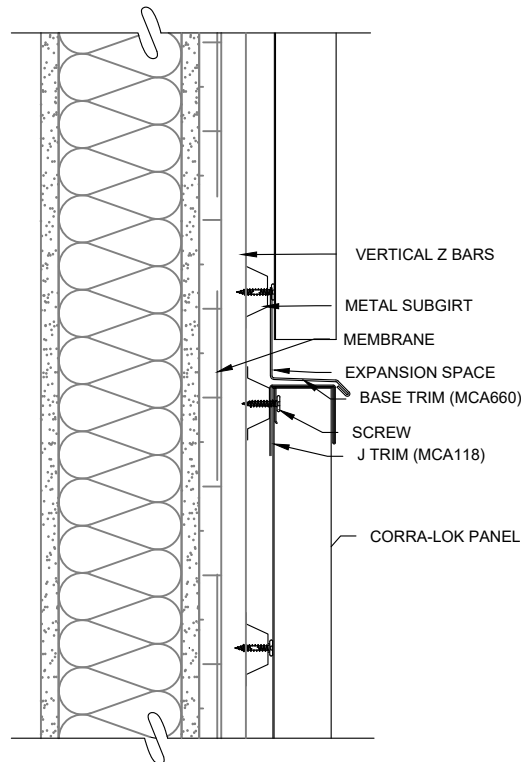
PROVIDE A THERMAL EXPANSION SPACE AT THE BOTTOM OF THE PANEL  
(SEE EXPANSION FACTOR TABLE)  
WALL CUT FOR INFORMATION ONLY

PANEL INSTALLATION - SPECIFIC DETAILS

HORIZONTAL TRANSITION INSTALLATION  
SOLID SUBSTRATE - PANEL INSTALLED  
VERTICALLY

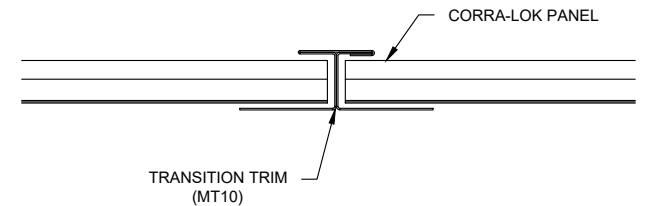


HORIZONTAL TRANSITION INSTALLATION  
OPEN FRAMING - PANEL INSTALLED  
VERTICALLY

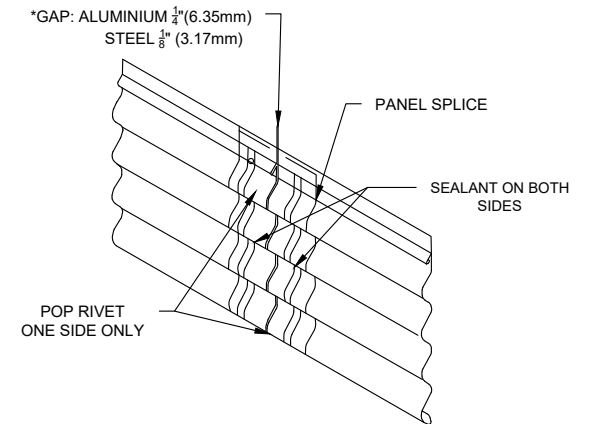


VERTICAL TRANSITION INSTALLATION -  
PANEL INSTALLED HORIZONTALLY

OPTION 1 : TRANSITION TRIM  
PLAN VIEW



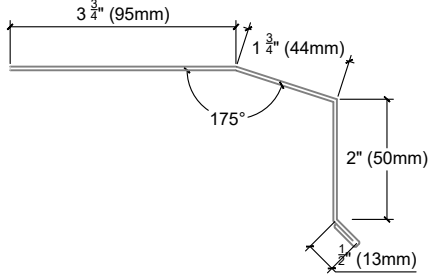
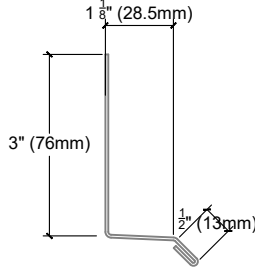
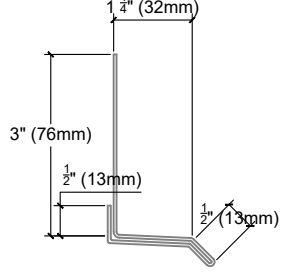
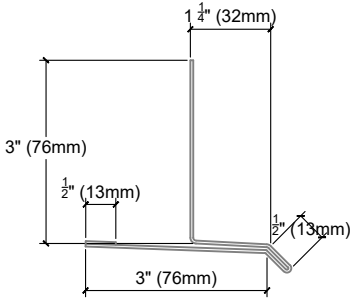
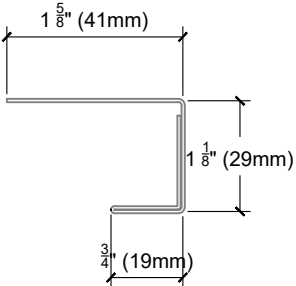
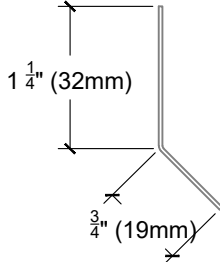
OPTION 2 : SPLICING PLATE



**NOTES PLAQUE DE JONCTION :**

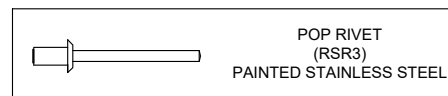
THE JUNCTION SPLICE IS APPLICABLE ONLY ON HORIZONTAL INSTALLATION AT A MAXIMAL PANEL LENGTH OF 21 FEET.

TRIMS AND ACCESSORIES

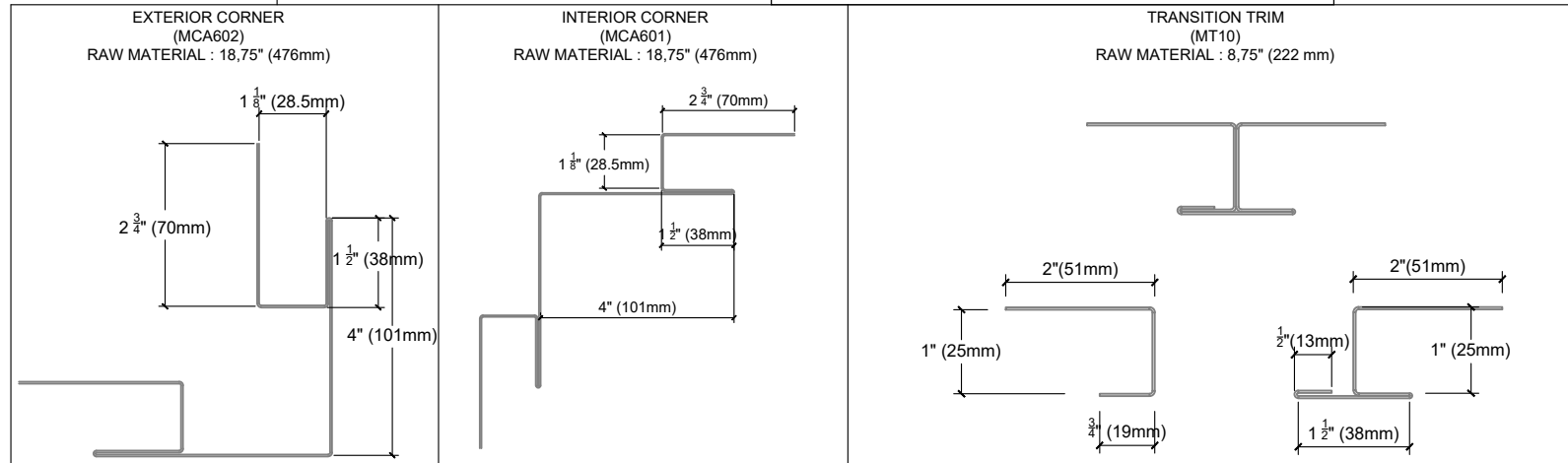
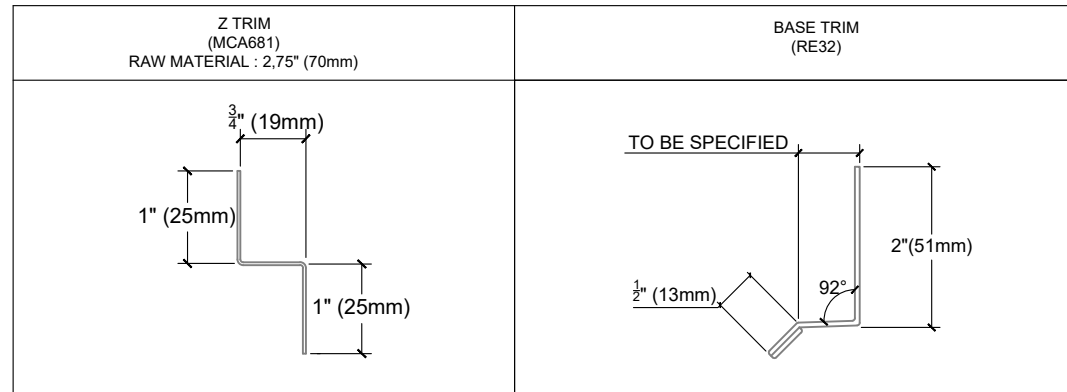
<p>WINDOW SILL TRIM (RE16) RAW MATERIAL : 8,5" (216 mm)</p> 	<p>BASE TRIM (MCA660) RAW MATERIAL : 5,125" (130mm)</p> 	<p>BASE TRIM (MCA661) RAW MATERIAL : 7,0" (178mm)</p> 
<p>T WINDOW TRIM (MCA662) RAW MATERIAL : 8,25" (210mm)</p> 	<p>J TRIM (MCA118) RAW MATERIAL : 6,50" (165mm)</p> 	<p>STARTER CLEAT (MCA995) RAW MATERIAL : 2" (51mm)</p> 

**NOTE FOR TRIMS :**

- THE EXPANSION OF ALUMINUM AND STEEL DEPENDS ON A COMBINATION OF SEVERAL FACTORS: THE LENGTH AND WIDTH OF THE PANEL, THE THICKNESS OF THE MATERIAL, ITS COLOR, THE LEVEL OF SUN EXPOSURE, THE TEMPERATURE DURING INSTALLATION. PROVIDE SUFFICIENT EXPANSION SPACE ACCORDING TO THESE FACTORS (SEE EXPANSION FACTOR TABLE).



TRIMS AND ACCESSORIES



**NOTE FOR TRIMS :**

- THE EXPANSION OF ALUMINUM AND STEEL DEPENDS ON A COMBINATION OF SEVERAL FACTORS: THE LENGTH AND WIDTH OF THE PANEL, THE THICKNESS OF THE MATERIAL, ITS COLOR, THE LEVEL OF SUN EXPOSURE, THE TEMPERATURE DURING INSTALLATION. PROVIDE SUFFICIENT EXPANSION SPACE ACCORDING TO THESE FACTORS (SEE EXPANSION FACTOR TABLE).

